

CABLE LUGS CATALOGUE



“
SPECIALITY
IS OUR
STRENGTH
”



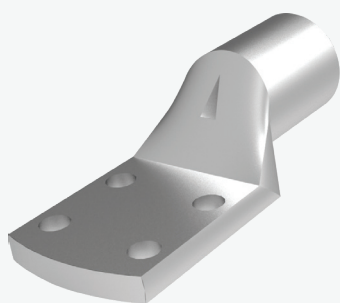
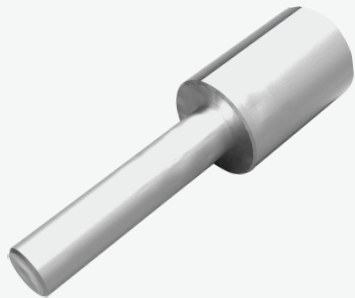
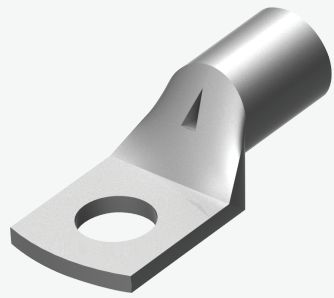
Technical Data

■ Copper Terminals

- Material Standard:** Copper terminals are manufactured from precision drawn tubes to BS 2871
- Manufacturing Standard:** Copper terminals designed and manufactured to meet performance requirements of BSEN61238-1/BS 4579 Part 1.
- Material Specification:** EC Grade 99.25% IACS as per BSEN1976: 2012
- Temperature Rating:** The standard electro tinned parts are suitable for use up to temperatures of 150 Deg C . Please consult ICMS sales team for higher temperature capability.

■ Insulated Terminals

- Material Standard:** Insulated terminals are manufactured to comply generally with the requirements of BS6516 part 2: 1990.
- Material Specification:** EC Grade 99.25% IACS as per BSEN1976: 2012
- Temperature Rating:** The standard electro tinned parts are suitable for use up to temperatures of 100 Deg C . Please consult ICMS sales team for higher temperature capability.



Cable Lugs

ICMS cable lugs are designed to cater for a wide range of applications and cable Management. We supply a comprehensive range of cable lugs designed for terminating and connecting our low voltage cables to Equipment. Our cable lugs work in conjunction with standard cabl crimping tools.

We are promised cable lugs manufacturing company in qatar. All the systems are engineered to maximize comfort and efficiency. The systematic approach towards works gives more accuracy and space for flexibility. It is our aim to supply copper cable lugs as per customer requirements with the high quality products in time with good replacement policy. The standard electro tinned lugs are suitable for use up to temperatures of 150°C. For therequirement of higher temperature capacity please contact icms sales team. Copper cable lugs are supplied plated as standard to BS 1872 part 2 for corrosion resistance and attractive appearance. Nevertheless, for untinned lugs requirement Please contact ICMS sales team.

TYPES OF CABLE LUGS



01

Copper Tube Terminals(CTL)

Our standard copper tube terminals are manufactured from seamless copper tube to BS 2871. The internal barrel diameters of these cable lugs suit standard cables as defined in BS EN 60228. They are designed and manufactured to meet performance requirements of BS 4579 Part 1.



02

Copper Pin Lugs(CPL)

Our copper tube pin terminals are designed to terminate conductors into contact blocks. These cable lugs are manufactured from copper rods, rolled, brazed and tin plated.

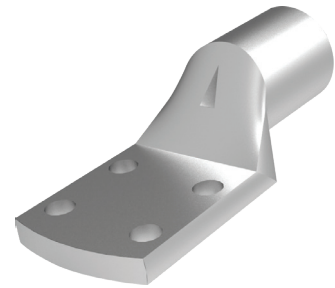
03



Long Palm Terminals

Our long palm terminals are in compliance with the demands of a majority of end user's. This also comply with the standard electrical specifications.

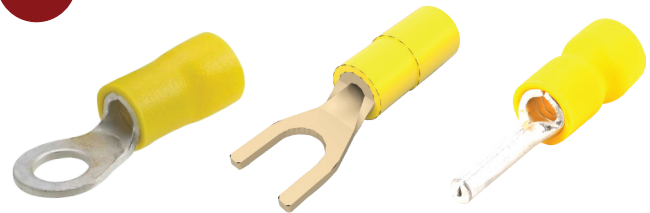
04



Four Holes Terminals

Our range of four hole cable terminal ends is appreciated amidst our clients for safe and easy operation.

05

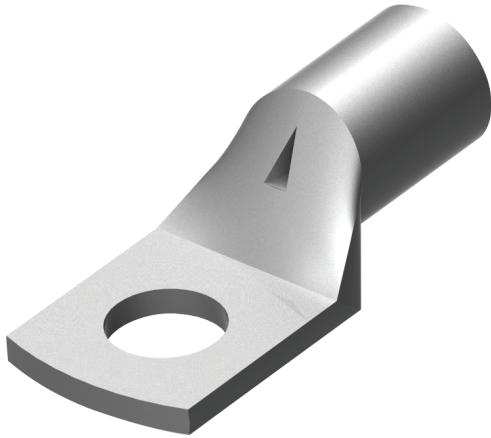


Insulated Type Terminals

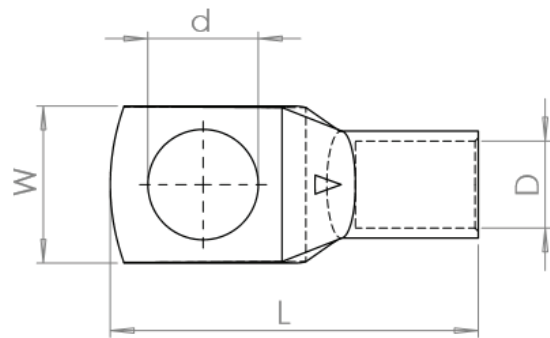
ICMS Insulated Terminals are produced to comply generally with the requirements of BS6516 part 2. Available in Vinyl Grip and Copper Grip.

01

CABLE TERMINAL TYPE LUGS



Material : E-Copper
 Finish : Electro Tinned
 Features : With Inspection Hole
 Ordering : CTL-CONDUCTOR SIZE-STUD SIZE
 Example : CTL-35-8



Part No	Conductor size mm ²	Stud mm	L	W	D	d
CTL-6-4	6	4	24.6	9.6	4.0	4.3
CTL-6-5	6	5	24.6	9.7	4.0	5.3
CTL-6-6	6	6	24.6	10.0	4.0	6.3
CTL-6-8	6	8	27.3	12.5	4.0	8.3
CTL-6-10	6	10	30.7	14.7	4.0	10.3
CTL-10-5	10	5	30.0	10.4	4.5	5.1
CTL-10-6	10	6	30.0	10.5	4.5	6.3
CTL-10-8	10	8	30.0	12.5	4.5	8.2
CTL-10-10	10	10	34.1	14.7	4.5	10.4
CTL-10-12	10	12	34.1	17.5	4.5	12.7
CTL-16-5	16	5	30.7	11.0	5.5	5.2
CTL-16-6	16	6	30.7	11.0	5.5	6.3
CTL-16-8	16	8	30.7	12.5	5.5	8.3
CTL-16-10	16	10	35.9	15.1	5.5	10.3
CTL-16-12	16	12	35.9	17.5	5.5	12.8
CTL-25-5	25	5	32.2	13.1	6.7	5.2
CTL-25-6	25	6	32.2	13.1	6.7	6.3

Part No	Conductor size mm ²	Stud mm	L	W	D	d
CTL-25-8	25	8	32.2	13.1	6.7	8.3
CTL-25-10	25	10	36.9	15.1	6.7	10.2
CTL-25-12	25	12	36.9	17.5	6.7	12.8
CTL-35-5	35	5	37.6	15.8	8.6	5.2
CTL-35-6	35	6	37.6	15.8	8.6	6.3
CTL-35-8	35	8	37.6	15.8	8.6	8.3
CTL-35-10	35	10	41.5	16.2	8.6	10.3
CTL-35-12	35	12	41.5	18.6	8.6	12.9
CTL-35-14	35	14	43.5	19.6	8.6	14.8
CTL-50-6	50	6	40.2	17.6	9.6	6.3
CTL-50-8	50	8	40.2	17.6	9.6	8.3
CTL-50-10	50	10	43.2	17.6	9.6	10.3
CTL-50-12	50	12	43.2	18.7	9.6	12.8
CTL-50-14	50	14	43.2	20.3	9.6	14.8
CTL-50-16	50	16	52.8	23.2	9.6	16.5
CTL-70-6	70	6	50.4	21.8	12.0	6.3
CTL-70-8	70	8	50.4	21.8	12.0	8.2
CTL-70-10	70	10	50.4	21.8	12.0	10.2
CTL-70-12	70	12	50.4	21.8	12.0	12.7
CTL-70-14	70	14	52.9	22.2	12.0	14.8
CTL-70-16	70	16	52.9	22.2	12.0	16.3
CTL-70-20	70	20	71.9	30	12.0	20.9
CTL-95-8	95	8	53.2	24.3	13.5	8.3
CTL-95-10	95	10	53.2	24.3	13.5	10.3
CTL-95-12	95	12	53.2	24.3	13.5	12.7
CTL-95-14	95	14	56.8	24.3	13.5	14.8
CTL-95-16	95	16	56.8	24.3	13.5	16.3
CTL-95-20	95	20	73.6	30.0	13.5	20.9
CTL-120-8	120	8	59.1	27.5	15.0	8.3
CTL-120-10	120	10	59.1	27.5	15.0	10.3
CTL-120-12	120	12	59.1	27.5	15.0	12.7
CTL-120-14	120	14	64.0	27.5	15.0	14.8
CTL-120-16	120	16	64.0	27.0	15.0	16.3
CTL-120-20	120	20	76.6	30.0	15.0	20.9
CTL-150-10	150	10	66.3	30.3	16.5	10.2
CTL-150-12	150	12	66.3	30.3	16.5	12.7

Part No	Conductor size mm ²	Stud mm	L	W	D	d
CTL-150-14	150	14	66.3	30.3	16.5	14.7
CTL-150-16	150	16	71.4	30.3	16.5	16.2
CTL-150-20	150	20	71.4	30.3	16.5	20.8
CTL-185-10	185	10	72.4	34.0	19.0	10.3
CTL-185-12	185	12	72.4	34.0	19.0	12.9
CTL-185-14	185	14	72.4	34.0	19.0	14.7
CTL-185-16	185	16	76.2	34.0	19.0	16.5
CTL-185-20	185	20	76.2	34.0	19.0	20.9
CTL-240-10	240	10	91.4	37.8	21.0	10.3
CTL-240-12	240	12	91.4	37.8	21.0	12.7
CTL-240-14	240	14	91.4	37.8	21.0	14.7
CTL-240-16	240	16	91.4	37.8	21.0	16.4
CTL-240-20	240	20	91.4	37.8	21.0	20.9
CTL-300-10	300	10	97.2	43.9	24.5	10.3
CTL-300-12	300	12	97.2	43.9	24.5	12.7
CTL-300-14	300	14	97.2	43.9	24.5	14.7
CTL-300-20	300	20	97.2	43.9	24.5	20.9
CTL-400-12	400	12	102.8	47.4	27.0	12.7
CTL-400-14	400	14	102.8	47.4	27.0	14.7
CTL-400-16	400	16	102.8	47.4	27.0	16.4
CTL-400-20	400	20	102.8	47.4	27.0	20.9
CTL-500-14	500	14	116.2	52.7	30.0	14.0
CTL-500-16	500	16	116.2	52.7	30.0	16.4
CTL-500-20	500	20	116.2	52.7	30.0	20.9
CTL-630-16	630	16	145.8	64.5	35.5	16.4
CTL-630-20	630	20	145.8	64.5	35.5	20.9
CTL-800-20	800	20	162.5	70.7	39.0	20.9
CTL-1000-20	1000	20	167.8	76.7	42.0	20.9

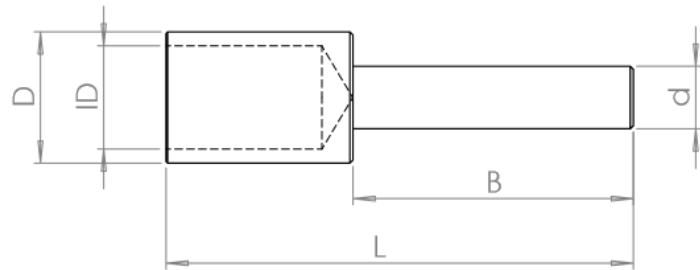
Terminal lugs without inspections holes are also available upon request.

02

CABLE PIN TYPE LUGS



Material : E-Copper
 Finish : Electro Tinned
 Ordering : CPL-CONDUCTOR SIZE
 Example : CPL-50



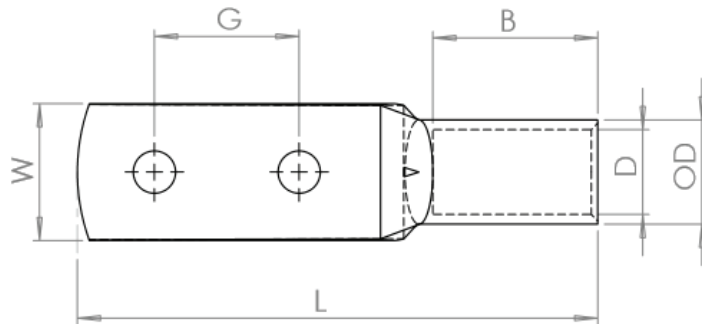
Part No	d	B	L	D	ID
CPL - 10	4.0	15.0	25.0	6.5	4.5
CPL-16	5.0	18.0	30.0	7.5	5.5
CPL-25	6.0	21.0	35.0	9.0	6.7
CPL-35	6.5	24.0	40.0	11.0	8.6
CPL-50	6.5	27.0	45.0	12.0	9.6
CPL-70	8.0	30.0	50.0	15.0	12.0
CPL-95	8.0	34.0	57.0	16.5	13.5
CPL-120	10.0	39.0	65.0	19.0	15.0
CPL-150	10.0	45.0	75.0	21.0	16.5
CPL-185	12.5	51.0	85.0	23.0	19.0
CPL-240	12.5	57.0	92.0	26.0	21.0
CPL-300	15.0	57.0	99.0	30.0	24.0
CPL-400	15.0	57.0	103.0	32.0	27.0

03

LONG PALM TERMINALS



Material : E-Copper
 Finish : Electro Tinned
 Features : With Inspection Hole
 Ordering : CTL-LP-CONDUCTOR SIZE
 Example : CTL-LP-35

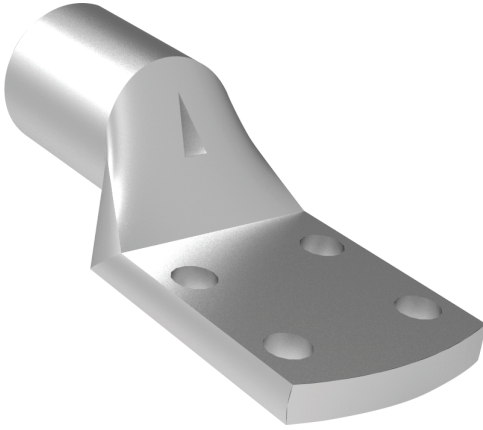


Part No	Conductor size mm ²	D	OD	W	P	B	L
CTL-LP-10	10	4.5	6.9	20	67	11	82
CTL-LP-16	16	5.9	8.1	20	67	20	91
CTL-LP-25	25	7	9.7	18	66	22	95
CTL-LP-35	35	8.4	11.5	18	71	22	97
CTL-LP-50	50	9.5	12.7	22	71	22	99
CTL-LP-70	70	11.1	14.3	28	88	25	120
CTL-LP-95	95	13.5	17.5	26	74	25	106
CTL-LP-120	120	15.5	20.6	29	74	32	113
CTL-LP-150	150	16.3	22.2	33	82	32	122
CTL-LP-185	185	18.3	24.3	35	82	32	122
CTL-LP-240	240	21.2	28.6	40	86	42	145
CTL-LP-300	300	23.8	31.9	45	94	47	160
CTL-LP-400	400	27.5	35.5	49	94	50	164
CTL-LP-500	500	30	38	55	94	50	164
CTL-LP-630	630	34.5	44	63	98	55	173

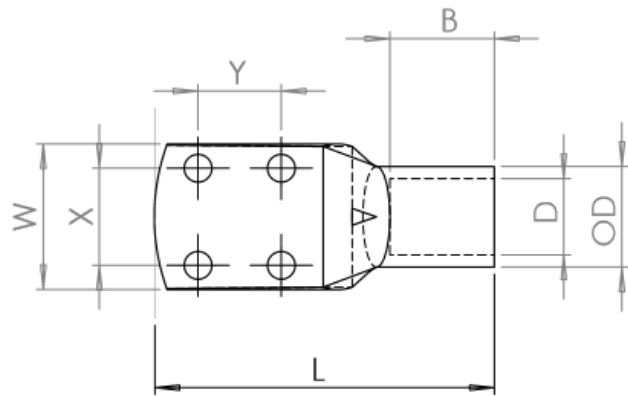
Note: LP terminals are normally supplied in blank palms. For holes, the hole size and dimension 'G' should be mentioned by the customer.

04

FOUR HOLES TERMINALS



Material	: E-Copper
Finish	: Electro Tinned
Features	: With Inspection Hole
Ordering	: CTL-4H-CONDUCTOR SIZE-STUD SIZE
Example	: CTL-4H-35-8



Part No	Conductor size mm ²	d	D	OD	W	X	Y	B	L
CTL-4H-240-8	240	8.5	21.0	28	58	35	25	45	110
CTL-4H-240-10		10.5							
CTL-4H-300-8	300	8.5	23.5	31	58	35	25	50	115
CTL-4H-300-10		10.5							
CTL-4H-400-8	400	8.5	27.5	35.5	58	35	25	52	120
CTL-4H-400-10		10.5							
CTL-4H-500-8	500	8.5	30.0	39	58	35	25	56	124
CTL-4H-500-10		10.5							
CTL-4H-630-8	630	8.5	35.5	45	64.5	35	25	65	146
CTL-4H-630-10		10.5							
CTL-4H-800-8	800	8.5	39.0	50	70.7	35	25	82	162
CTL-4H-800-10		10.5							
CTL-4H-1000-8	1000	8.5	42.0	56.2	76.7	35	25	90	168
CTL-4H-1000-10		10.5							

INSULATED TERMINALS



Material : E-Copper
 Finish : Electro Tinned
 Features : With Vinyl Grip
 Ordering : ILR-CONDUCTOR SIZE
 Example : ILR 1.5-4.3

RING TYPE



ILR 1.5-2.2

ILR 2.5-2.2

ILR 6-3.2

ILR 1.5-3.2

ILR 2.5-3.2

ILR 6-3.7

ILR 1.5-3.2 N

ILR 2.5-3.7

ILR 6-4.3

ILR 1.5-3.7

ILR 2.5-3.7 N

ILR 6-4.3 N

ILR 1.5-4.3

ILR 2.5-4.3

ILR 6-5.3

ILR 1.5-5.3

ILR 2.5-4.3 N

ILR 6-6.5

ILR 1.5-6.5

ILR 2.5-5.3

ILR 6-8.5

ILR 1.5-8.5

ILR 2.5-6.5

ILR 6-10

ILR 1.5-10

ILR 2.5-8.5

ILR 6-12

ILR 1.5-12

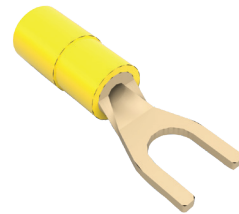
ILR 2.5-10

ILR 2.5-12

INSULATED TERMINALS

Material	: E-Copper
Finish	: Electro Tinned
Features	: With Vinyl Grip
Ordering	: ILF-CONDUCTOR SIZE
Example	: ILR 1.5-4.3

FORK TYPE



ILF 1.5-3.2

ILF 2.5-3.2

ILF 6-3.7

ILF 1.5-3.2 N

ILF 2.5-3.2 N

ILF 6-4.3

ILF 1.5-3.7

ILF 2.5-3.7

ILF 6-5.3

ILF 1.5-3.7 N

ILF 2.5-3.7 N

ILF 6-6.5

ILF 1.5-4.3

ILF 2.5-4.3

ILF 6-8.5

ILF 1.5-4.3 N

ILF 2.5-4.3 N

ILF 6-10

ILF 1.5-5.3

ILF 2.5-5.3

ILF 1.5-5.3 N

ILF 2.5-6.5

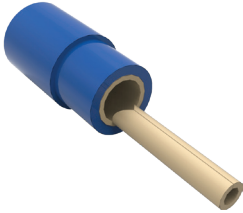
ILF 1.5-6.5

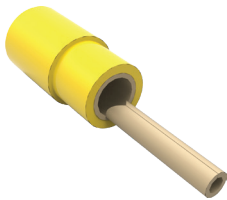
ILF 2.5-8.5

INSULATED TERMINALS

Material	: E-Copper
Finish	: Electro Tinned
Features	: With Vinyl Grip
Ordering	: ILP-CONDUCTOR SIZE
Example	: ILR 1.5-4.3

	PIN TYPE
	ILP 1.5-9.5
	ILP 1.5-12

	PIN TYPE
	ILP 2.5-9.5
	ILP 2.5-12

	PIN TYPE
	ILP 6-14

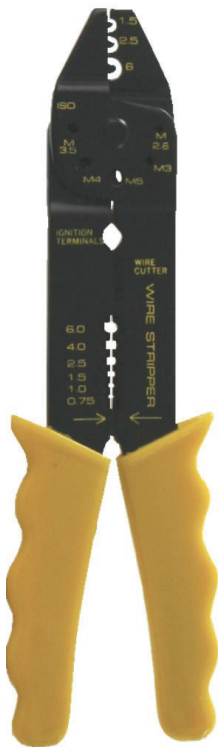


While every effort has been made to ensure that the information contained in this catalogue is accurate, ICMS reserves the right to amend the size and specifications of its products in line with its policy of continuing improvement and development without any prior notice.

COMPRESSION TOOLS

IT2 1.5 TO 6 mm²

Simple service pliers incorporating wire stripper and cutter.



IT2 1.5 TO 6 mm²
IT2 10 TO 16 mm²

Precision ratchet tools ensuring a full crimp



KHH13C 10 TO 400 mm²

Precision ratchet tools ensuring a full crimp



A series of horizontal dotted lines for writing, spanning the width of the page.

Ruled area for notes with horizontal dotted lines.

www.icmstray.com



Industrial Cable Management Systems Co.

+974 4444 6246 | Fax: +974 4444 6242

www.icmstray.com

