



ZETA

Floor Trunking

FLOOR TRUNKING SYSTEM

ICMS **FLOOR TRUNKING SYSTEMS** is designed to cater for a wide range of applications and cable management.

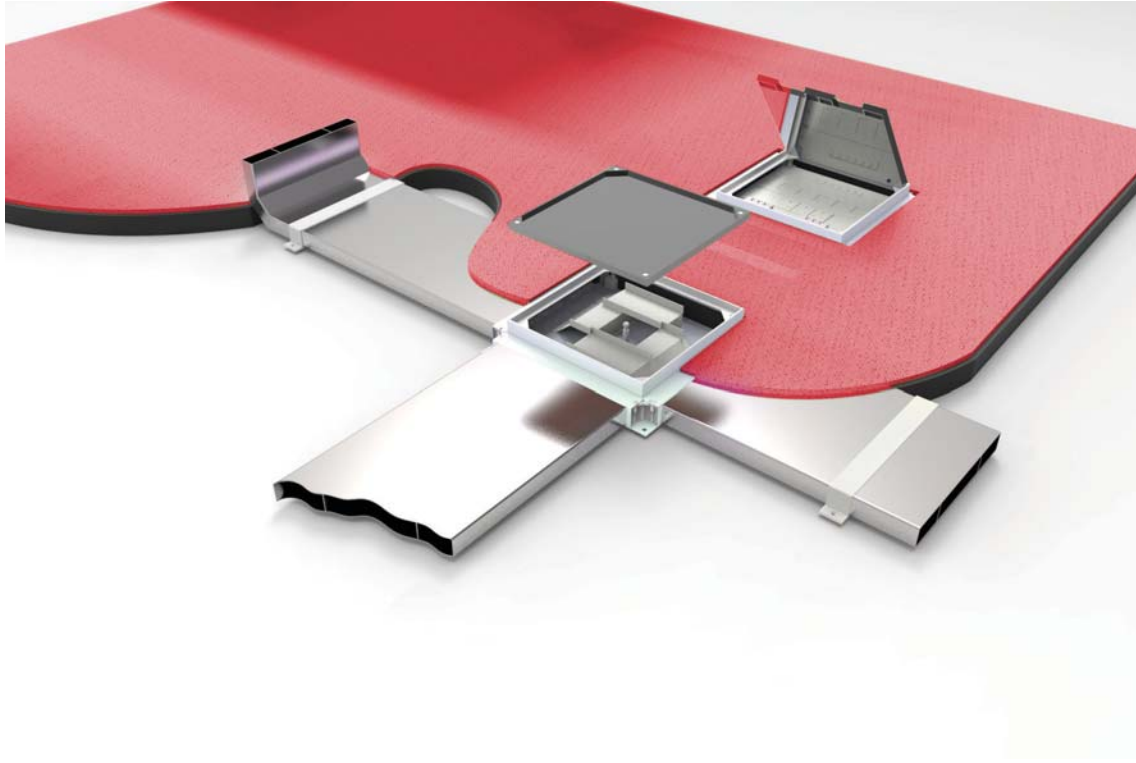
The **FLOOR TRUNKING SYSTEM** is manufactured from galvanised sheet steel in accordance with BS4678 : Part 2, BS EN 10327, IEC 61084-2-2 & BS EN 50085-2-2. Service outlet and junction boxes are designed to be installed at predetermined position to provide the end user with Power, Telephone and data etc. Under Floor Trunkings are available in choice of 1,2,3 or 4 compartment. Moreover, custom designed and manufactured items are available to meet special site conditions.

Material Standard: Hot Dip Galvanized Sheet to BS EN 10142/3 Class3.

Standard Length: 2.44 Mtr and 3.0 Mtr available upon request

TYPES OF FLOOR TRUNKING SYSTEM

- 1) Under Floor (In Screed) Trunking System
- 2) Flush Floor Trunking System
- 3) Raised Floor Trunking Systems

UNDER FLOOR (IN SCREED) TRUNKING SYSTEM:

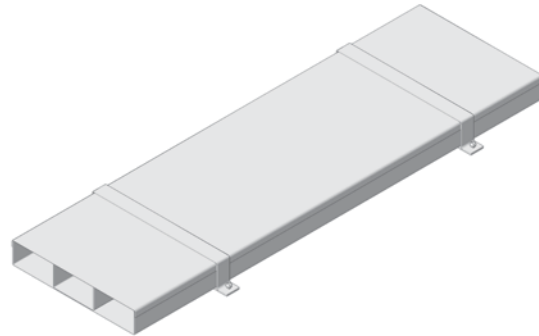
Under Floor Trunking is completely buried in-screed and it is used for the applications that require access through inspection boxes or service outlets for discrete cable management.

ICMS Under floor trunking system is designed for the distribution of power, Voice and data services in the floor and it provides the simplest and economical method of carrying the services to feed a grid of outlet Installation

Features:

- Trap & frame tested to withstand 4.5kN concentrated load. Underfloor trunking (screeded) tested to withstand 30kN concentrated load.
- The system incorporates numerous design features to ensure a fast and simple installation & designed to support CAT 6 structured cabling systems.
- Suitable for screed depth from 56mm to 85mm. Floor boxes are IP30 rated in accordance with BS EN 60529.
- Choice of 1, 2, or 3 compartment floor boxes. Wide range of power and data accessories available to meet all requirements.

UNDER FLOOR TRUNKING



UF - 3 - 300 - 38 - PG

Model	Compartments	Width	Height	Material
Under Floor	1	150	25	PG: Pre-Galvanized Steel
	2	225		
	3	250	38	
		300		

- Special sizes are available upon request

ACCESSORIES :

- 1) Service Outlet Box
- 2) Junction Box
- 3) Vertical Access Bend
- 4) Joint Fix Connector
- 5) Cover Fixing Saddle
- 6) Stop End

UNDER FLOOR SERVICE OUTLET BOXES

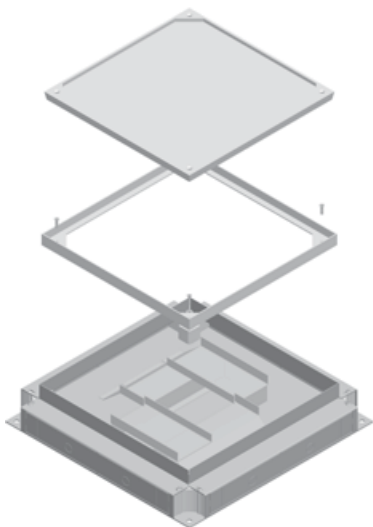


Model	Trunking Width	Trunking Height
USB	150	25
	225	38
	250	
	300	

When ordering eg: USB-300-25

Galvanised steel base box is supplied with fixed partitions to meet the required number of compartments. Numerous configurations are available within 1, 2, or 3 compartment to meet and install different combinations of wiring accessories of British, European and American standard. Through and termination type service outlet boxes with increased depth also available to meet different screed levels

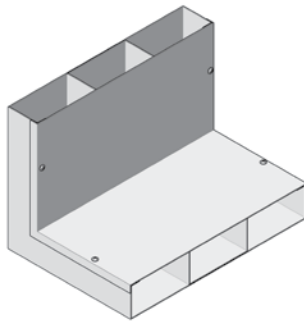
UNDER FLOOR JUNCTION BOXES



Model	Trunking Width	Trunking Height
UJB	150	25
	225	38
	250	
	300	

When ordering eg: UJB-300-38

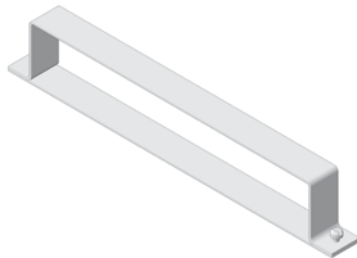
The junction boxes incorporate partitions for straight or angle and flyovers assembly for tee and cross units as required. The basic box is made from Pre-Galvanized Steel sheet to BS EN 10142. The trap is made of high pressure die-cast alloy with Nylon Frame (Type 1), The trap & frame is made of high pressure die-cast alloy (Type 2) or 1.5mm pre-galvanized steel sheets reinforced with pre-galvanized steel sheets on the trap (Type3).



VERTICAL ACCESS BEND

MODEL	COMPARTMENT	TRUNKING WIDTH	TRUNKING HEIGHT	MATERIAL
UVAB	1	150	25	PG:Pre-Galvanized
	2	225	38	
	3	250		
		300		

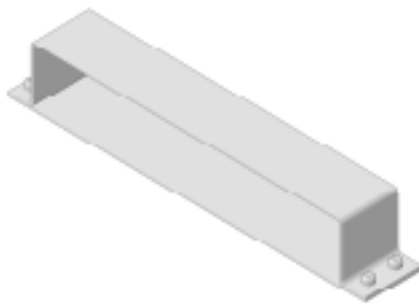
When ordering eg: UVAB-2-300-25



COVER FIXING SADDLE

MODEL	COMPARTMENT	TRUNKING WIDTH	TRUNKING HEIGHT	MATERIAL
UCFS	1	150	25	PG:Pre-Galvanized
	2	225	38	
	3	250		
		300		

When ordering eg: UCFS-1-150-38



JOINT FIX CONNECTOR

MODEL	COMPARTMENT	TRUNKING WIDTH	TRUNKING HEIGHT	MATERIAL
UJFC	1	150	25	PG:Pre-Galvanized
	2	225	38	
	3	250		
		300		

When ordering eg: UJFC-2-225-38



STOP END

MODEL	COMPARTMENT	TRUNKING WIDTH	TRUNKING HEIGHT	MATERIAL
USE	1	150	25	PG:Pre-Galvanized
	2	225	38	
	3	250		
		300		

When ordering eg: USE-1-225-25

TECHNICAL DATA:**Under Floor Trunking:**

Material: Pre-galvanized steel sheets in accordance with BS EN 10142 & BS EN 10327
Strength: It can withstand 30 kN concentrated load.

Standard: The trunking supplied shall comply with BS 4678 : Part 2, BS EN 50085-2-2 & IEC 61084-2-2.

Construction: The trunking body with cover is made from Pre-Galvanized Steel sheet to prevent corrosion. This method also adds strength to the section whilst allowing site adaptation. The top cover has continuous side returns to prevent the ingress of screed and is clamped to the trunking body with two clamping saddles and a double width connecting saddle.

Standard Thickness: Body and Cover 1.2mm thick (Special Thickness available upon request)

Standard Length: 2.44 Mtr or 3.0 Mtr

Number of Compartments: 1, 2 & 3 Compartments

Standard Height: 25mm & 38mm

Under Floor Service Outlet Boxes / Junction Boxes

Material: 250x250mm or 300x300mm constructed from pre-galvanized steel sheets, suitable for screed depths from 56mm to 85mm with provision for trunking entry on four sides or 20mm conduits (for 25mm trunking height) or 25mm conduits (for 38mm trunking height) on blank sides. A throwaway lid shall be provided to prevent the ingress of screed during installation.

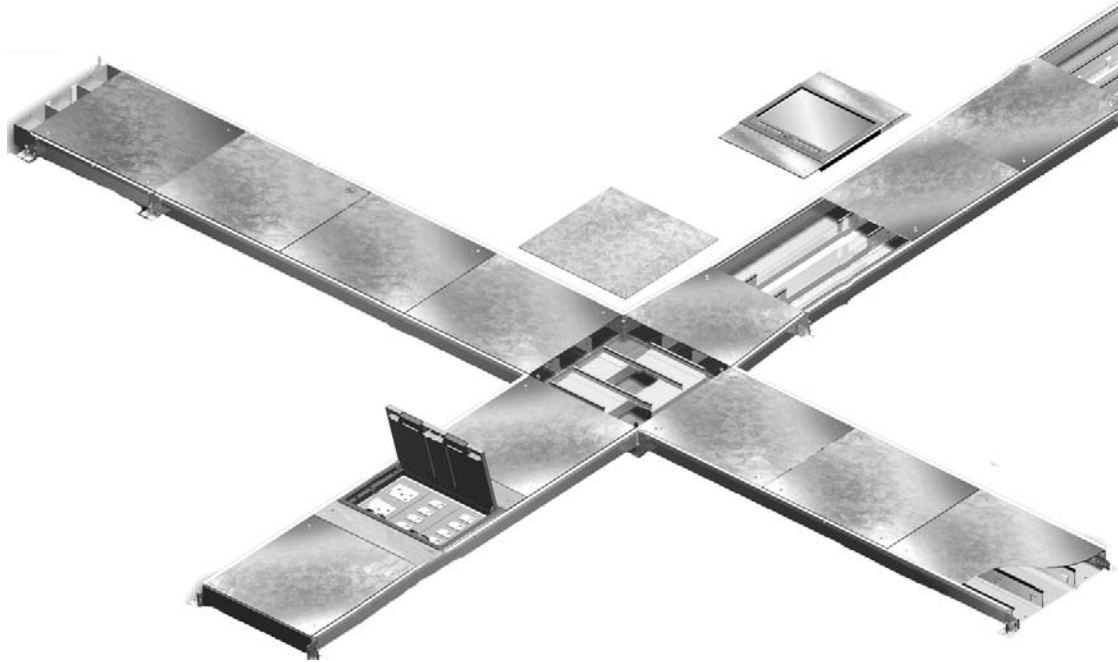
Strength: Underfloor Boxes can withstand the below Loads:

- a) Concentrated load test – 3.0kN @25mm sq. steel platen.
- b) Concentrated load test – 4.5kN @300mm sq. steel platen.
- c) Uniform distributed load test – 8.0kN/m².
- d) Maximum deflection shall not exceed 3mm for these loadings (BS EN 50085-2-2).

Construction: Covers (traps and frames) for the service outlet box and junction box shall be constructed from 3mm thick high-pressure die-cast alloy or 3mm thick pre-galvanized steel sheets with epoxy finish or plastic reinforced with 2.5mm (4.5kN) and 3mm (6.0kN) thick pregalvanized infill steel sheets plate. All are available in 6mm recess for carpet finish or 9mm recess for tile finish.

Cover Opening: Service outlet cover shall be able to be flat open through 180o . It comes with cable grommets and cable retainers. Junction box cover is shut flat and secured by counter sunk screws.

Electromagnetic Compatibility: Junction Box shall be provided with pre-galvanized steel sheets flyover for compartment segregation. Due to electromagnetic interferences, the use of plastic flyover is not suitable. This is to comply with the latest I.E.E regulations. A service outlet box shall have fully segregated outlet panels to isolate the services in compliance with the latest I.E.E regulations.

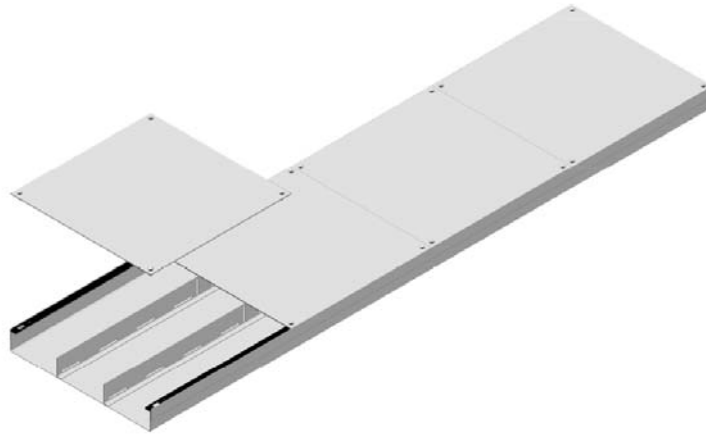
FLUSH FLOOR TRUNKING SYSTEM:

Flush Floor Trunking system is designed for the distribution of power, voice & data services on the screed floor. This system is widely used in commercial offices and in this system both Trunking & Floor Boxes are flushed to the screed.

Features:

- Trunking, Trap & frame tested to withstand 4.5kN concentrated load.
- The system incorporates numerous design features to ensure a fast and simple installation & designed to support CAT 6 structured cabling systems.
- Suitable for screed depth from 60mm and above. Floor boxes are IP30 rated in accordance with BS EN 60529.
- Choice of 1,2,3 compartment floor boxes. Wide range of power and data accessories available to meet all requirements.

FLUSH FLOOR TRUNKING:



FF - 3 - 300 - 38 - PG

Model	Compartments	Width	Height	Material
Flush Floor	1	225	38	PG: Pre-Galvanized Steel
	2	300	60	
	3	400	65	

• Special sizes are available upon request

ACCESSORIES :

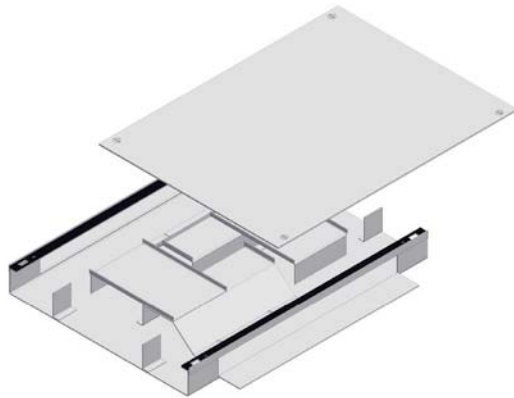
- 1) Service Outlet Box
- 2) Junction Box
- 3) Vertical Access Bend
- 4) Flush Floor Tee
- 5) Flush Floor Bend
- 6) Trunking Connector
- 7) Stop End
- 8) Fixing Bracket



FLOOR SERVICE OUTLET BOXES

Model	Trunking Width	Trunking Height
FSB	225	38
	300	60
	400	65

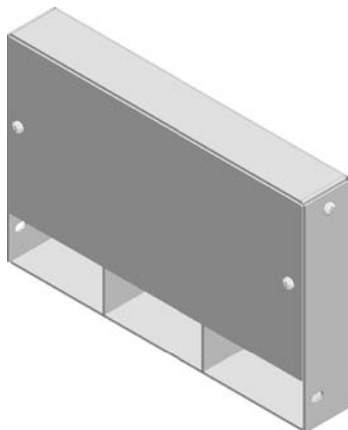
When ordering eg: FSB-225-60



FLOOR JUNCTION BOXES

Model	Trunking Width	Trunking Height
FJB	225	38
	300	60
	400	65

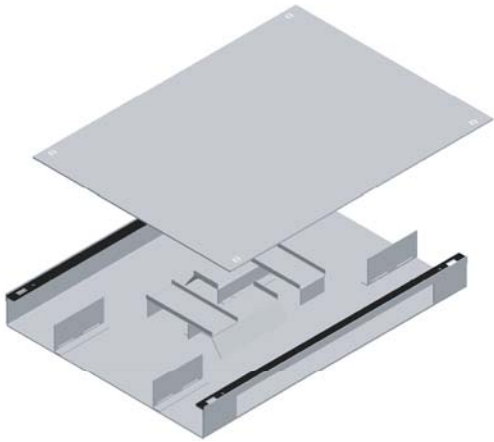
When ordering eg: FJB-300-38



VERTICAL ACCESS BEND

MODEL	COMPARTMENT	TRUNKING WIDTH	TRUNKING HEIGHT	MATERIAL
FVAB	1	225	38	PG:Pre-Galvanized
	2	300	60	
	3	400	65	

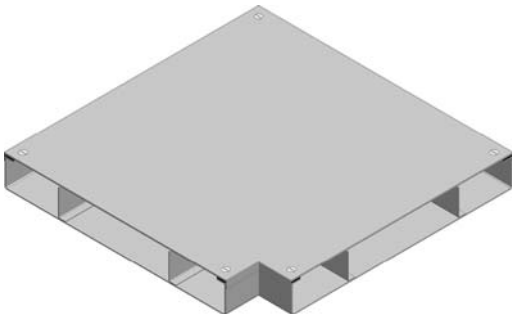
When ordering eg: FVAB-2-300-38



FLUSH FLOOR TEE

MODEL	COMPARTMENT	TRUNKING WIDTH	TRUNKING HEIGHT	MATERIAL
FFT	1	225	38	PG:Pre-Galvanized
	2	300	60	
	3	400	65	

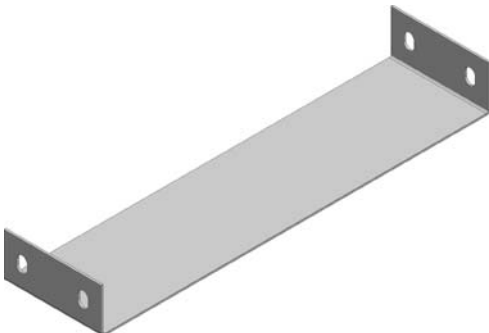
When ordering eg: FFT-2-300-38



FLUSH FLOOR BEND

MODEL	COMPARTMENT	TRUNKING WIDTH	TRUNKING HEIGHT	MATERIAL
FBE	1	225	38	PG:Pre-Galvanized
	2	300	60	
	3	400	65	

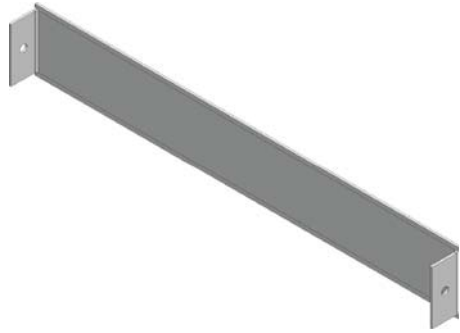
When ordering eg: FBE-2-225-38



TRUNKING CONNECTOR

MODEL	COMPARTMENT	TRUNKING WIDTH	TRUNKING HEIGHT	MATERIAL
FTC	1	225	38	PG:Pre-Galvanized
	2	300	60	
	3	400	65	

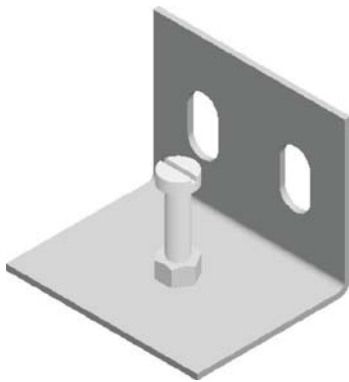
When ordering eg: FTC-1-225-65



STOP END

MODEL	COMPARTMENT	TRUNKING WIDTH	TRUNKING HEIGHT	MATERIAL
FSE	1	225	38	PG:Pre-Galvanized
	2	300	60	
	3	400	65	

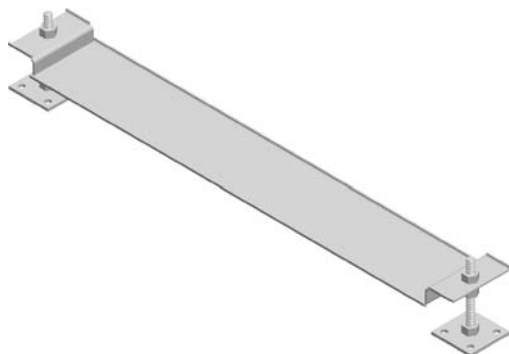
When ordering eg: FSE-1-300-60



FIXING BRACKET

MODEL	TRUNKING HEIGHT
FFB	38
	60
	65

When ordering eg: FFB-60



LEVELING KIT

MODEL	TRUNKING HEIGHT
FLG	225
	300
	400

*Standard Height Is 55 mm.
Other Hight Also Available Up On Request

When ordering eg: FLG-300

TECHNICAL DATA:**Flush Floor Trunking:**

Material: Pre-galvanized steel sheets in accordance with BS EN 10142 & BS EN 10327

Strength: It can withstand uniform distributed load of 8.0kN/m²

Standard: The trunking supplied shall comply with BS 4678 : Part 2, BS EN 50085-2-2 & IEC 61084-2-2.

Construction: The trunking body with cover is made from Pre-Galvanized Steel sheet to prevent corrosion. Trunking cover and separator can easily removable type. Also easy for removal and interchanging of covers and service boxes. The flush floor trunking shall be gasketed type so it prevent the transmission of sound between the trunking body and the cover.

Standard Thickness: Body 1.2mm and Cover 2.5mm (Special Thickness available upon request)

Standard Length: 2.44 Mtr or 3.0 Mtr

Number of Compartments: 1, 2 & 3 Compartments

Standard Height: 60 mm

Under Floor Service Outlet Boxes / Junction Boxes

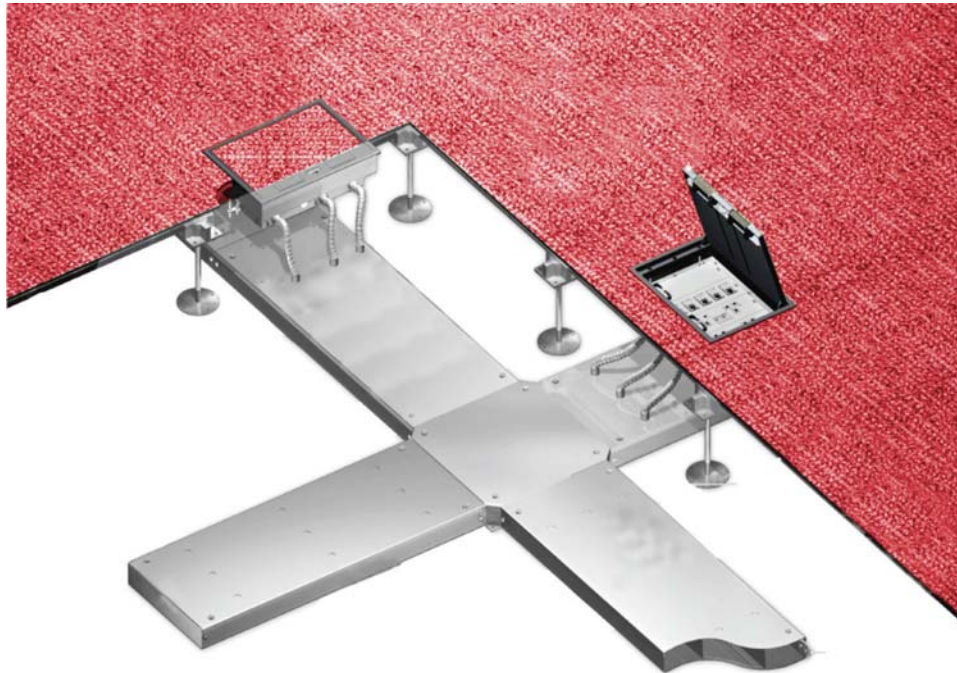
Material: The cover for the service outlet box shall be constructed from plastic such as Nylon or ABS, reinforced with pre-galvanized steel sheets infill plate.

Strength: Under floor Boxes can withstand the below Loads:

- a) Concentrated load test – 3.0kN @25mm sq. steel platen.
- b) Concentrated load test – 4.5kN @300mm sq. steel platen.
- c) Uniform distributed load test – 8.0kN/m².
- d) Maximum deflection shall not exceed 3mm for these loadings (BS EN 50085-2-2).

Design: The service outlet box shall be concealed type and each module shall be similar in length with the flush floor trunking cover for interchangeability.

Electromagnetic Compatibility: Junction Box shall be provided with pre-galvanized steel sheets flyover for compartment segregation. Due to electromagnetic interferences, the use of plastic flyover is not suitable. This is to comply with the latest I.E.E regulations. A service outlet box shall have fully segregated outlet panels to isolate the services in compliance with the latest I.E.E regulations.

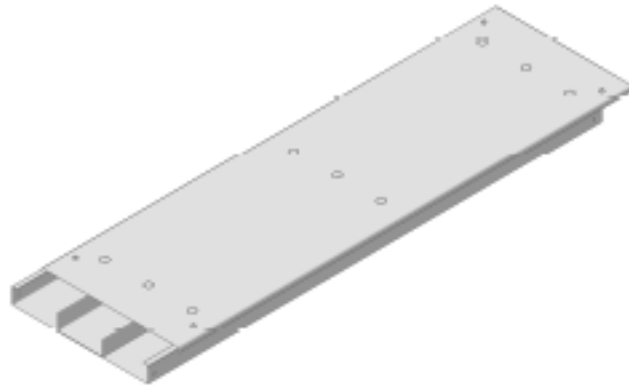
RAISED FLOOR TRUNKING SYSTEM:

Raised Floor Trunking Systems are increasingly being put to use in new build commercial applications. Raised Floor Trunking System has been specially designed for the distribution of power, voice and data services in raised floor installations.

Features:

- The system incorporates numerous design features to ensure a fast and simple installation & designed to support CAT 6 structured cabling systems.
- Suitable service outlet boxes depths of 85 & 45,80mm are available. Floor boxes are IP30 rated in accordance with BS EN 60529.
- Choice of 2, 3 & 4 compartment floor boxes. Wide range of power and data accessories available to meet all requirements.

RAISED FLOOR TRUNKING



RF - 3 - 300 - 40 - PG

Model	Compartments	Width	Height	Material
Raised Floor	2	250	40	PG: Pre-Galvanized Steel
	3	300	50	
	4	450		

• Special sizes are available upon request

ACCESSORIES :

- 1) Service Outlet Box
- 2) Junction Box
- 3) Vertical Access Box
- 4) Raised Floor Tee
- 5) Raised Floor Bend
- 6) Stop End
- 7) Trunking Connector



RAISED FLOOR SERVICE BOX

Model	Trunking Width	Trunking Height
RSB	250	40
	300	50
	450	

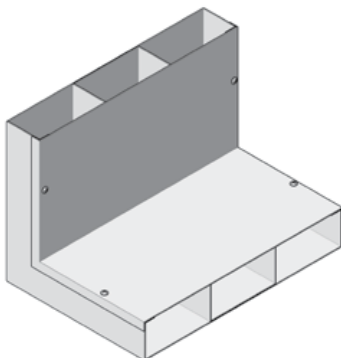
When ordering eg: RSB-300-40



RAISED FLOOR JUNCTION BOX

Model	Trunking Width	Trunking Height
RJB	250	40
	300	50
	450	

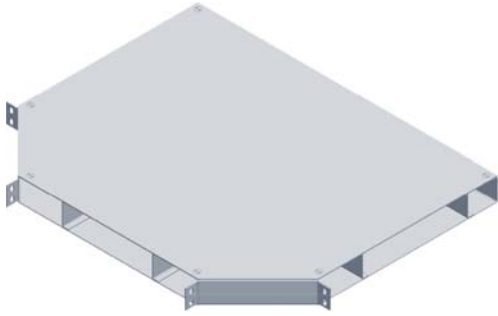
When ordering eg: RJB-300-50



VERTICAL ACCESS BEND

MODEL	COMPARTMENT	TRUNKING WIDTH	TRUNKING HEIGHT	MATERIAL
RVAB	2	250	40	PG:Pre-Galvanized
	3	300	50	
	4	450		

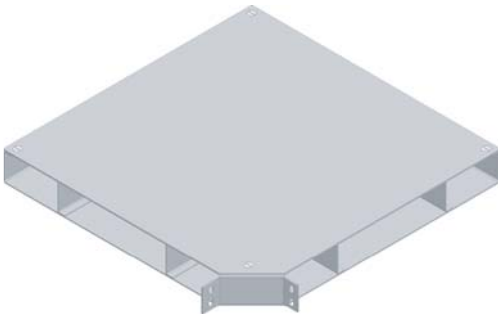
When ordering eg: RVAB-2-300-40



RAISED FLOOR TEE

MODEL	COMPARTMENT	TRUNKING WIDTH	TRUNKING HEIGHT	MATERIAL
RFT	2	250	40	PG:Pre-Galvanized
	3	300	50	
	4	450		

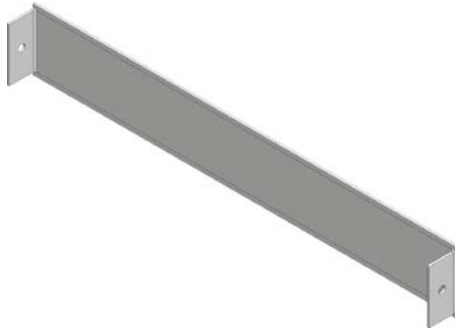
When ordering eg: RFT-2-200-50



RAISED FLOOR BEND

MODEL	COMPARTMENT	TRUNKING WIDTH	TRUNKING HEIGHT	MATERIAL
RBE	2	250	40	PG:Pre-Galvanized
	3	300	50	
	4	450		

When ordering eg: RBE-2-300-40



STOP END

MODEL	COMPARTMENT	TRUNKING WIDTH	TRUNKING HEIGHT	MATERIAL
RSE	2	250	40	PG:Pre-Galvanized
	3	300	50	
	4	450		

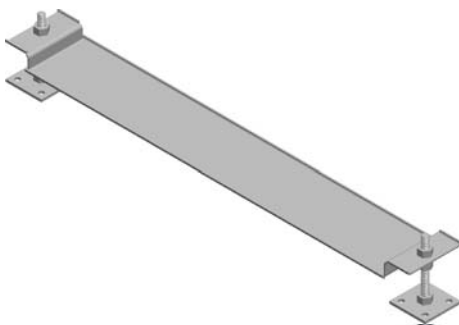
When ordering eg: RSE-3-250-40



TRUNKING CONNECTOR

MODEL	TRUNKING HEIGHT
RTC	40
	50

When ordering eg: RTC-50



LEVELING KIT

MODEL	TRUNKING HEIGHT
RLG	250
	300
	450

*Standard height is 55 mm.
Other height also available up on request.

When ordering eg: RLG-250

TECHNICAL DATA:**Raised Floor Trunking:**

Material: Pre-galvanized steel sheets in accordance with BS EN 10142 & BS EN 10327

Strength: It can withstand uniform distributed load of 8.0kN/m²

Standard: The trunking supplied shall comply with BS 4678 : Part 2, BS EN 50085-2-2& IEC 61084-2-2.

Construction: The trunking body with cover is made from Pre-Galvanized Steel sheet to prevent corrosion. Raised floor trunking system has been especially designed to ensure fast installation, reliability and flexibility. It has been specially designed for the distribution of power and data services.

Standard Thickness: Body and Cover 1.0mm (Special Thickness available upon request)

Standard Length: 2.44 Mtr or 3.0 Mtr

Number of Compartments: 2,3 & 4 Compartments

Standard Height: 40 mm and 50mm

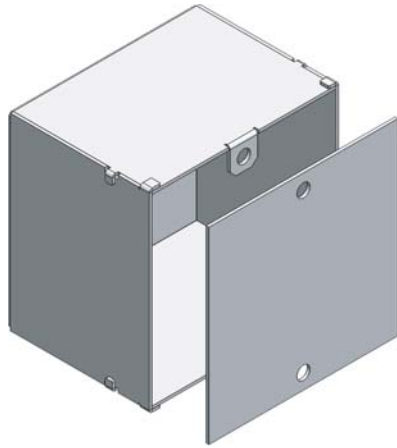
Raised Floor Service Outlet Boxes / Junction Boxes :

Material: The cover for the service outlet box shall be constructed from plastic such as Nylon or ABS, reinforced with pre-galvanized steel sheets infill plate.

Strength: Service outlet box can withstand the below Loads:

- a) Concentrated load test – 3.0kN @25mm sq. steel platen.
- b) Concentrated load test – 4.5kN @300mm sq. steel platen.
- c) Uniform distributed load test – 8.0kN/m².
- d) Maximum deflection shall not exceed 3mm for these loadings (BS EN 50085-2-2).

Electromagnetic Compatibility: Junction Box shall be provided with pre-galvanized steel sheets flyover for compartment segregation. Due to electromagnetic interferences, the use of plastic flyover is not suitable. This is to comply with the latest I.E.E regulations. A service outlet box shall have fully segregated outlet panels to isolate the services in compliance with the latest I.E.E regulations.

PULL BOXES

Material/Finish

PG: Pre galvanized Steel

HG: Hot Dip Galvanized

AL: Aluminum

S4: Stainless Steel 304

S6: Stainless Steel 316

CA: Corten-A Steel

AZ: Aluzinc

HP: Hot Dip Galvanized & Epoxy Powder Coated

SR.No.	PART No.	SIZE(AxBxC), mm
1	PB-100-100-75	100 x 100 x 75
2	PB-100-100-100	100 x 100 x 100
3	PB-150-150-75	150 x 150 x 75
4	PB-150-100-100	150 x 100 x 100
5	PB-150-150-100	150 x 150 x 100
6	PB-150-150-150	150 x 150 x 150
7	PB-200-150-100	200 x 150 x 100
8	PB-200-150-150	200 x 150 x 150
9	PB-200-200-100	200 x 200 x 100
10	PB-200-200-150	200 x 200 x 150
11	PB-200-200-200	200 x 200 x 200
12	PB-250-150-100	250 x 150 x 100
13	PB-250-200-100	250 x 200 x 100
14	PB-250-200-150	250 x 200 x 150
15	PB-250-250-100	250 x 250 x 100
16	PB-250-250-150	250 x 250 x 150
17	PB-250-250-200	250 x 250 x 200
18	PB-300-150-100	300 x 150 x 100
19	PB-300-150-150	300 x 150 x 150
20	PB-300-200-100	300 x 200 x 100
21	PB-300-200-150	300 x 200 x 150
22	PB-300-250-100	300 x 250 x 100
23	PB-300-250-150	300 x 250 x 150

SR.No.	PART No.	SIZE(AxBxC), mm
24	PB-300-250-200	300 x 250 x 200
25	PB-300-300-100	300 x 300 x 100
26	PB-300-300-150	300 x 300 x 150
27	PB-300-300-200	300 x 300 x 200
28	PB-300-300-250	300 x 300 x 250
29	PB-300-300-300	300 x 300 x 300
30	PB-380-380-100	380 x 380 x 100
31	PB-400-300-100	400 x 300 x 100
32	PB-400-300-150	400 x 300 x 150
33	PB-400-300-200	400 x 300 x 200
34	PB-450-300-100	450 x 300 x 100
35	PB-450-300-150	450 x 300 x 150
36	PB-450-300-200	450 x 300 x 200
37	PB-450-300-250	450 x 300 x 250
38	PB-450-380-100	450 x 380 x 100
39	PB-450-450-100	450 x 450 x 100
40	PB-450-450-150	450 x 450 x 150
41	PB-450-450-200	450 x 450 x 200
42	PB-450-450-250	450 x 450 x 250
43	PB-450-450-300	450 x 450 x 300
44	PB-600-300-100	600 x 300 x 100
45	PB-600-300-150	600 x 300 x 150
46	PB-600-300-200	600 x 300 x 200

SR.No.	PART No.	SIZE(AxBxC), mm
47	PB-600-300-250	600 x 300 x 250
48	PB-600-300-300	600 x 300 x 300
49	PB-600-450-100	600 x 450 x 100
50	PB-600-450-150	600 x 450 x 150
51	PB-600-450-200	600 x 450 x 200
52	PB-600-450-250	600 x 450 x 250
53	PB- 600-450-300	600 x 450 x 300
54	PB-600-500-150	600 x 500 x 150
55	PB-600-500-200	600 x 500 x 200
56	PB-600-600-100	600 x 600 x 100
57	PB-600-600-150	600 x 600 x 150
58	PB-600-600-200	600 x 600 x 200
59	PB-600-600-250	600 x 600 x 250
60	PB-600-600-300	600 x 600 x 300
61	PB-750-600-100	750 x 600 x 100
62	PB-750-600-200	750 x 600 x200
63	PB-750-600-250	750 x 600 x 250
64	PB-750-600-300	750 x 600 x 300
65	PB-750-750-100	750 x 750 x 100
66	PB-750-750-200	750 x 750 x 200
67	PB-750-750-250	750 x 750 x 250
68	PB-750-750-300	750 x 750 x 300
69	PB-750-750-400	750 x 750 x 400
70	PB-900-600-100	900 x 600 x 100
71	PB-900-600-200	900 x 600 x 200
72	PB-900-600-250	900 x 600 x 250
73	PB-900-600-300	900 x 600 x 300
74	PB-900-900-200	900 x 900 x 200
75	PB-900-900-250	900 x 900 x 250
76	PB-900-900-300	900 x 900 x 300
77	PB-900-900-400	900 x 900 x 400
78	PB-1200-1200-300	1200 x 1200 x 300
79	PB-1200-1200-400	1200 x 1200 x 400

Note: Covers will be provided along with the pull boxes. Customer should mention the type of cover (Flush/Flange)

