

METALLIC BOXES



//
SPECIALITY
IS OUR
STRENGTH

//



ICMS

Industrial Cable Management System Co.



Industrial Cable Management System Co.

www.icmstray.com

INTRODUCTION

INDUSTRIAL CABLE MANAGEMENT SYSTEMS COMPANY (ICMS) is a pioneer in the field of Quality Cable Management Systems in the State of Qatar.

ICMS manufactures a variety of metallic boxes that are designed to protect sensitive circuits from outside interference in a variety of applications. These applications are found in machinery, communications, marine, and many other industries. ICMS owns and operates a fully equipped and modern facility with a wide network of distributors across the Arabian Gulf.

Our advanced manufacturing facilities and the assistance of highly qualified professionals ensure us to provide superior quality products at competitive prices. ICMS products are designed in conformation with an international quality standard such as BS EN 61386 and are appreciated for dimensional accuracy and perfect finish.

It's products are approved by various utilities and major consulting offices; further reconfirming the fact that Industrial Cable Management Systems satisfies your definition of quality in every aspect of its business activity.



Nemko Ltd

TEST CERTIFICATE

No. : C19 / 52927

Client **Industrial Cable Management System
Co. W.L.L. (ICMS)**
Area 92, Street No. 710, Gate No. 532,
P.O. Box 22108, Mesaieed, Qatar

Client contact **Mr. Biju Jose N**

Item(s) tested **Metal flush mounted wall boxes**
Models: SSB-x-xx-xx (see page 2)
Rated : N/A

Specification(s) to which above unit(s) have been tested and compliance confirmed **BS EN 60670-1: 2005 +A1: 2013 and BS 4662: 2006 +A1: 2009* and deemed to comply**

Date of issue **17 July 2019**

Compliance with a Harmonised European Standard also gives the presumption of compliance with the Principal Elements of the Safety Objectives of the Low Voltage Directive 2014/35/EU

Signed  **Bunmi Phillips**
(Certifying Officer)

Relating to Project File(s) held at Nemko Ltd **52927**

To be read in conjunction with page 2 attached



Form No: QF102-1
Issue No: 6
Issue Date: 08.03.16



**Nemko Ltd**

Certificate No:	C19 / 52927
Client:	Industrial Cable Management System Co. W.L.L. (ICMS)

THIS CERTIFICATE APPLIES ONLY TO THE PARTICULAR SAMPLE UNIT(S) TESTED AND TO THE SPECIFIC TESTS CARRIED OUT AS DETAILED IN THE PROJECT FILE HELD AT NEMKO LTD.

THIS TEST CERTIFICATE DOES NOT COVER ELECTROMAGNETIC COMPATIBILITY.

IT SHOULD BE NOTED THAT ONLY A LIMITED NUMBER OF UNITS HAVE BEEN TESTED. IT IS THEREFORE ESSENTIAL FOR THE MANUFACTURER OR SUPPLIER OF THIS PRODUCT TO ENSURE THAT THE QUALITY OF ALL PRODUCTION UNITS IS OF THE SAME STANDARD AS THAT OF THE SAMPLE(S) CHECKED

Models covered by this certificate			
Model no.	Description	Model no.	Description
SSB-1-35-10	1 gang 35mm deep (0.9mm)	SSB-2-35-10	2 gang 35mm deep (0.9mm)
SSB-1-47-10	1 gang 47mm Deep (0.9mm)	SSB-2-47-10	2 gang 47mm Deep (0.9mm)
SSB-1-35-12	1 gang 35mm Deep (1.1mm)	SSB-2-35-12	2 gang 35mm Deep (1.1mm)
SSB-1-47-12	1 gang 47mm Deep (1.1mm)	SSB-2-47-12	2 gang 47mm Deep (1.1mm)

Condition / number of test sample(s) : Good / 64 Serial Number(s) : -

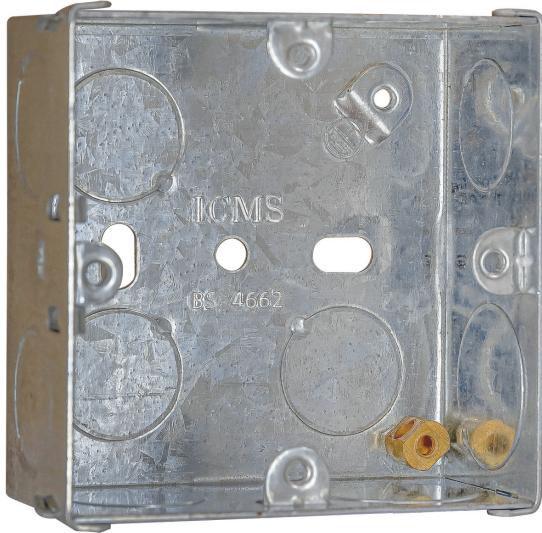
Notes relating to this Certificate: - BS EN 60670-1:2015 + A1: 2013 testing is accredited by UKAS
BS 4662: 2006 + A1: 2009 tested by Nemko (Not UKAS)

Project History: -

<u>Job Number</u>	<u>Sample received</u>	<u>Job Completion Date</u>	<u>Summary of work carried out</u>
52927	11-June-2019	11-July-2019	Full testing to BS EN 60670-1: 2005 +A1: 2013 and BS 4662: 2006 +A1: 2009

***** END OF CERTIFICATE *****



Switch and Socket Boxes**One Gang**

Material: Steel

Finish: Pre-Galvanized

Standard: BS4662BS4662, BS EN 60670-1

SR.No.	PART No.	SIZE(LxWxHxt), mm	K/O's
1	SSB-1-25-10	72x72x25x0.9	12x20mm
2	SSB-1-25-12	72x72x25x1.1	12x20mm
3	SSB-1-35-10	72x72x35x0.9	7x20mm, 4x25mm
4	SSB-1-35-12	72x72x35x1.1	7x20mm, 4x25mm
5	SSB-1-47-10	72x72x47x0.9	9x20mm, 1x25mm
6	SSB-1-47-12	72x72x47x1.1	9x20mm, 1x25mm

- All above come with one brass earth terminal and one adjustable lug.

Two Gang



Material: Steel

Finish: Pre-Galvanized

Standard: BS4662, BS EN 60670-1

SR.No.	PART No.	SIZE(LxWxHxt), mm	K/O's
1	SSB-2-25-10	132x72x25x0.9	16x20mm
2	SSB-2-25-12	132x72x25x1.1	16x20mm
3	SSB-2-35-10	132x72x35x0.9	13x20mm, 3x25mm
4	SSB-2-35-12	132x72x35x1.1	13x20mm, 3x25mm
5	SSB-2-47-10	132x72x47x0.9	10x20mm, 6x25mm
6	SSB-2-47-12	132x72x47x1.1	10x20mm, 6x25mm

- All above come with one brass earth terminal and one adjustable lug.

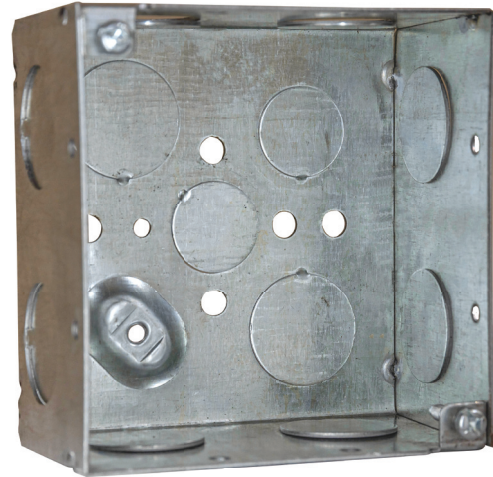
Utility Boxes

UB-4-2-18



Material: Steel
Finish: Pre-Galvanized
Construction : Drawn

UB-4-4-16



Material: Steel
Finish: Pre-Galvanized
Construction : Welded

SR.No.	PART No.	SIZE(LxWxH) , Inch	K/O's
1	UB-4-2-18	4" x 2 ¹ / ₈ x 1 ⁷ / ₈	³ / ₄ "
2	UB-4-4-16	4" x 4" x 2 ¹ / ₈	³ / ₄ " & 1 ¹ / ₂ "

- Other Specifications and thickness can be supplied upon request, dimensions and thickness complies to UL.

PULL BOXES



Material/Finish

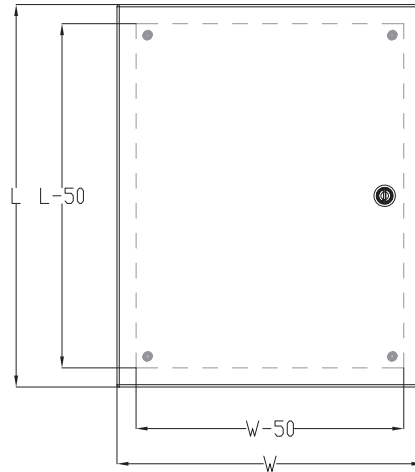
- PG: Pre galvanized Steel
- HG: Hot Dip Galvanized
- AL: Aluminum
- S4: Stainless Steel 304
- S6: Stainless Steel 316
- CA: Corten-A Steel
- AZ: Aluzinc
- HP: Hot Dip Galvanized & Epoxy Powder Coated

SR.No.	PART No.	SIZE(AxBxC), mm
1	PB-100-100-75	100 x 100 x 75
2	PB-100-100-100	100 x 100 x 100
3	PB-150-150-75	150 x 150 x 75
4	PB-150-100-100	150 x 100 x 100
5	PB-150-150-100	150 x 150 x 100
6	PB-150-150-150	150 x 150 x 150
7	PB-200-150-100	200 x 150 x 100
8	PB-200-150-150	200 x 150 x 150
9	PB-200-200-100	200 x 200 x 100
10	PB-200-200-150	200 x 200 x 150
11	PB-200-200-200	200 x 200 x 200
12	PB-250-150-100	250 x 150 x 100
13	PB-250-200-100	250 x 200 x 100
14	PB-250-200-150	250 x 200 x 150
15	PB-250-250-100	250 x 250 x 100
16	PB-250-250-150	250 x 250 x 150
17	PB-250-250-200	250 x 250 x 200
18	PB-300-150-100	300 x 150 x 100
19	PB-300-150-150	300 x 150 x 150
20	PB-300-200-100	300 x 200 x 100
21	PB-300-200-150	300 x 200 x 150
22	PB-300-250-100	300 x 250 x 100
23	PB-300-250-150	300 x 250 x 150
24	PB-300-250-200	300 x 250 x 200
25	PB-300-300-100	300 x 300 x 100
26	PB-300-300-150	300 x 300 x 150
27	PB-300-300-200	300 x 300 x 200
28	PB-300-300-250	300 x 300 x 250
29	PB-300-300-300	300 x 300 x 300
30	PB-380-380-100	380 x 380 x 100

SR.No.	PART No.	SIZE(AxBxC), mm
31	PB-400-300-100	400 x 300 x 100
32	PB-400-300-150	400 x 300 x 150
33	PB-400-300-200	400 x 300 x 200
34	PB-450-300-100	450 x 300 x 100
35	PB-450-300-150	450 x 300 x 150
36	PB-450-300-200	450 x 300 x 200
37	PB-450-300-250	450 x 300 x 250
38	PB-450-380-100	450 x 380 x 100
39	PB-450-450-100	450 x 450 x 100
40	PB-450-450-150	450 x 450 x 150
41	PB-450-450-200	450 x 450 x 200
42	PB-450-450-250	450 x 450 x 250
43	PB-450-450-300	450 x 450 x 300
44	PB-600-300-100	600 x 300 x 100
45	PB-600-300-150	600 x 300 x 150
46	PB-600-300-200	600 x 300 x 200
47	PB-600-300-250	600 x 300 x 250
48	PB-600-300-300	600 x 300 x 300
49	PB-600-450-100	600 x 450 x 100
50	PB-600-450-150	600 x 450 x 150
51	PB-600-450-200	600 x 450 x 200
52	PB-600-450-250	600 x 450 x 250
53	PB- 600-450-300	600 x 450 x 300
54	PB-600-500-150	600 x 500 x 150
55	PB-600-500-200	600 x 500 x 200
56	PB-600-600-100	600 x 600 x 100
57	PB-600-600-150	600 x 600 x 150
58	PB-600-600-200	600 x 600 x 200
59	PB-600-600-250	600 x 600 x 250
60	PB-600-600-300	600 x 600 x 300

Note: • Covers will be provided along with the pull boxes. Customer should mention the type of cover (Flush/Flange)
 • Other specifications are available upon request.
 • Thickness to be mentioned while ordering.

WALL MOUNT ENCLOSURE



Appilication

Designed to house and protect electrical and electronic components from dirty enviornment.

Construction

Fabricated from 1.5 mm thick steel sheet.

Sealing is ensured by all-round one piece gasket.

Door having hinges with open up to 120 degree angle.

Seams continuously welded and ground smooth, no knockouts

Protection

NEMA 4 and 12, IP 66.

Material/Finish

PG: Pre galvanized Steel

S6: Stainless Steel 316

HP: Hot dip galvanized &

Epoxy powder coated

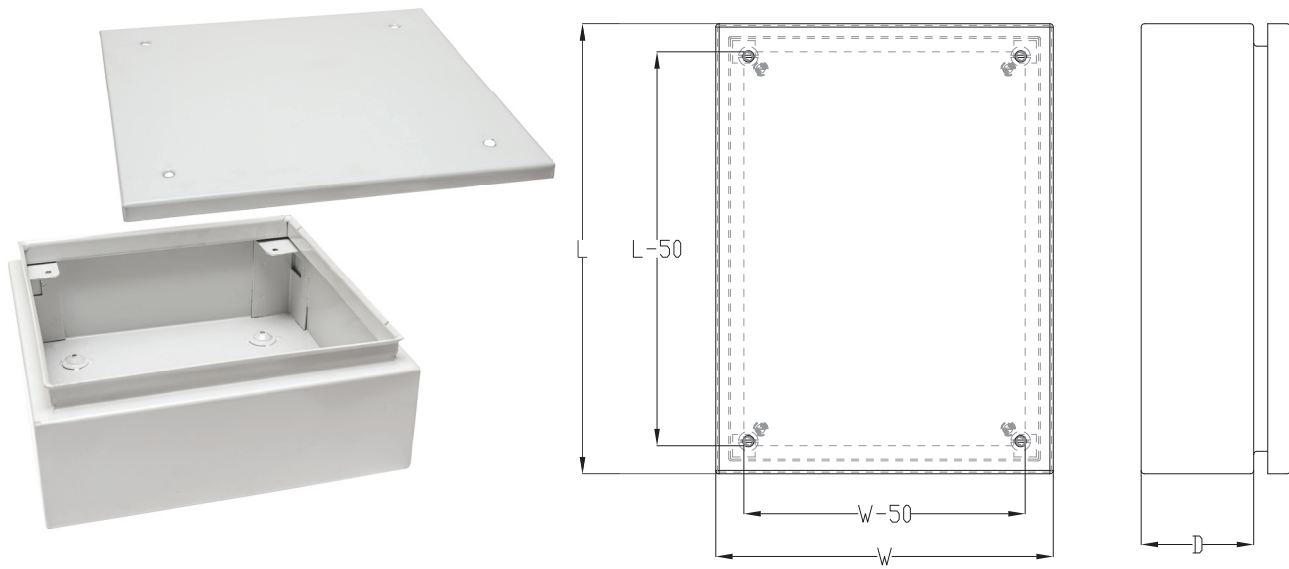
Note:

Other thickness and custom made sizes are avilable upon the request.

Mounting plate to be ordered seperately.

SR.No.	PART No.	SIZE(AxBxC), mm	MOUNTING PLATE
1	WEB-150/150/80-M/F	150x150x80	WEBM-150/150-M/F
2	WEB-150/300/80-M/F	150x300x80	WEBM-150/300-M/F
3	WEB-200/200/80-M/F	200x200x80	WEBM-200/200-M/F
4	WEB-200/300/80-M/F	200x300x80	WEBM-200/300-M/F
5	WEB-200/400/80-M/F	200x400x80	WEBM-200/400-M/F
6	WEB-150/150/120-M/F	150x150x120	WEBM-150/150-M/F
7	WEB-150/300/120-M/F	150x300x120	WEBM-150/300-M/F
8	WEB-200/200/120-M/F	200x200x120	WEBM-200/200-M/F
9	WEB-200/300/120-M/F	200x300x120	WEBM-200/300-M/F
10	WEB-200/400/120-M/F	200x400x120	WEBM-200/400-M/F
11	WEB-300/300/120-M/F	300x300x120	WEBM-300/300-M/F
12	WEB-300/400/120-M/F	300x400x120	WEBM-300/400-M/F

TERMINAL/JUNCTION BOX



Application

Designed for use as a junction box or terminal box with many indoor and outdoor application.

Construction

Fabricated from 1.5 mm thick steel sheet.

Sealing is ensured by all-round one piece gasket.

Seams continuously welded and ground smooth, no holes or knockouts.

Protection

NEMA 4 , IP 66.

Material/Finish

PG: Pre galvanized Steel

S6: Stainless Steel 316

HP: Hot dip galvanized & Epoxy powder coated

Note:

Other thickness and custom made sizes are available upon the request.

Mounting plate to be ordered separately.

SR.No.	PART No.	SIZE(AxBxC), mm	MOUNTING PLATE
1	TJB-150/150/80-M/F	150x150x80	TJBM-150/150-M/F
2	TJB-150/300/80-M/F	150x300x80	TJBM-150/300-M/F
3	TJB-200/200/80-M/F	200x200x80	TJBM-200/200-M/F
4	TJB-200/300/80-M/F	200x300x80	TJBM-200/300-M/F
5	TJB-200/400/80-M/F	200x400x80	TJBM-200/400-M/F
6	TJB-150/150/120-M/F	150x150x120	TJBM-150/150-M/F
7	TJB-150/300/120-M/F	150x300x120	TJBM-150/300-M/F
8	TJB-200/200/120-M/F	200x200x120	TJBM-200/200-M/F
9	TJB-200/300/120-M/F	200x300x120	TJBM-200/300-M/F
10	TJB-200/400/120-M/F	200x400x120	TJBM-200/400-M/F
11	TJB-300/300/120-M/F	300x300x120	TJBM-300/300-M/F
12	TJB-300/400/120-M/F	300x400x120	TJBM-300/400-M/F



Industrial Cable Management Systems Co.

+974 4444 6246 | Fax: +974 4444 6242

www.icmstray.com