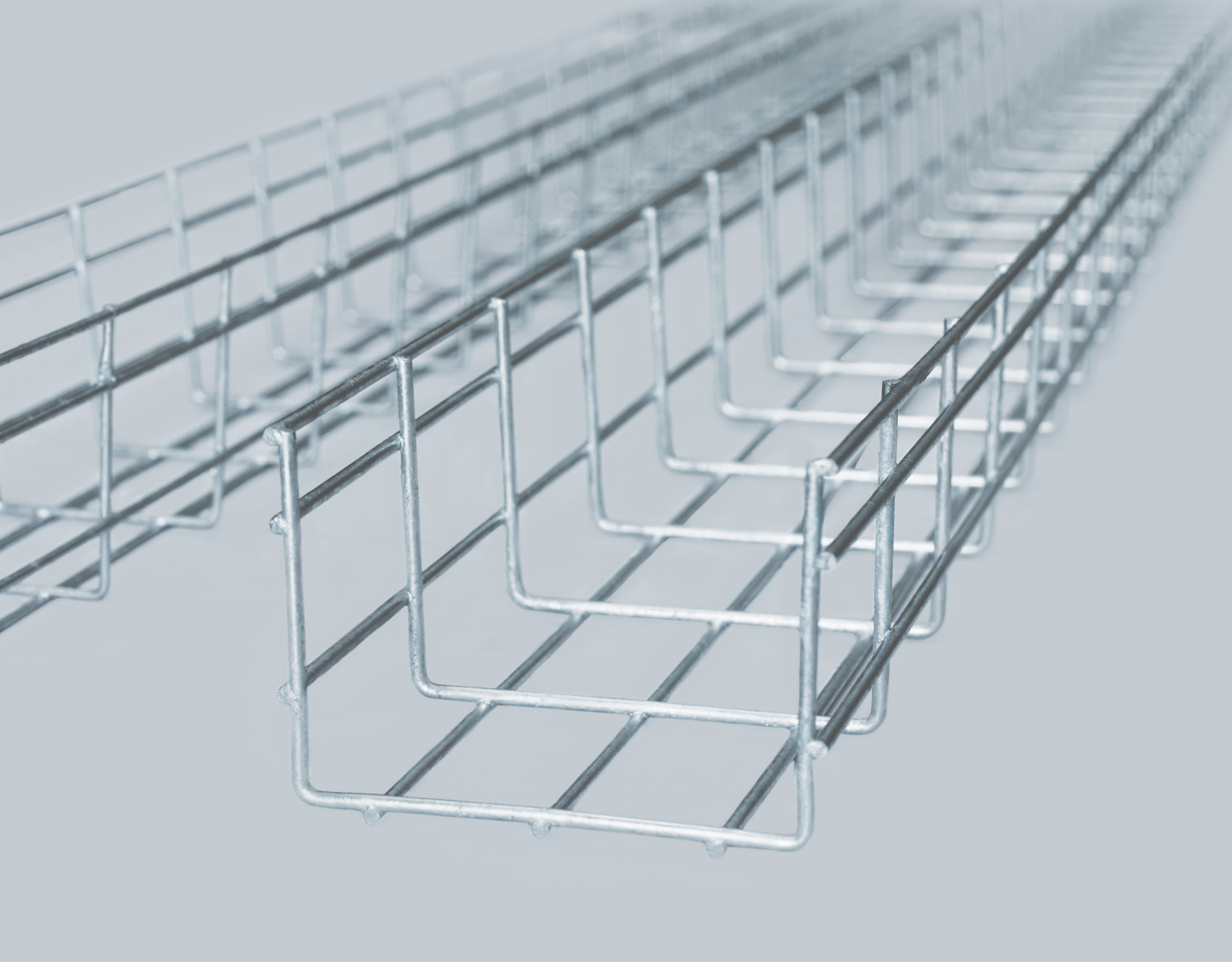


WIRE MESH CABLE TRAY



“
SPECIALITY
IS OUR
STRENGTH
”





www.ismstray.com

INTRODUCTION

INDUSTRIAL CABLE MANAGEMENT SYSTEMS COMPANY (ICMS) is a pioneer in the field of Quality Cable Management Systems in the State of Qatar. ICMS is committed to supply world-class cable management systems ranging from Cable Trays, Cable Ladders, Cable Trunking and Support Systems.

Based in Doha, Qatar, ICMS owns and operates a fully equipped and modern facility with a wide network of distributors across the Arabian Gulf. Its unwavering focus, with effective networking and top quality customer service has enabled ICMS to become a leading electrical material supplier in the State of Qatar.

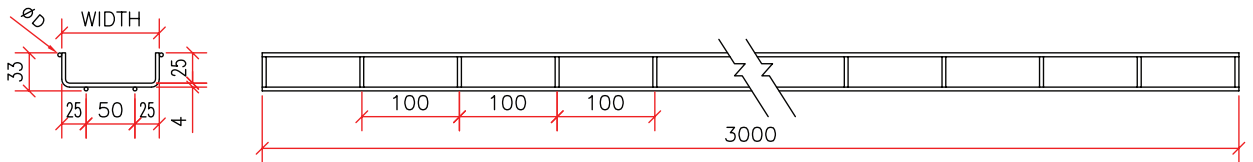
ICMS products are manufactured to meet the international standards of quality – whether European or American. This because it boasts of the best professional and technical support coupled with the use of advanced computer aided design technology in the production process. The latest CNC machines ensure the highest quality of finished products and speedy delivery of urgent jobs.

WIRE MESH CABLE TRAY - 35mm SIDE HEIGHT



Height: 35mm
Length: 3000mm

Technical Drawing



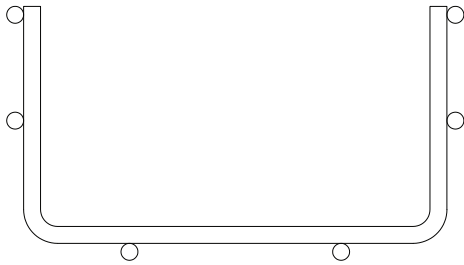
PART NUMBER	WIDTH (W) (mm)	SIDE HEIGHT (H) (mm)	WIRE DIA. (D) (mm)	WEIGHT (Kg/m)
WM-4-35-100-M/F	100	35	4.0	0.523
WM-4-35-150-M/F	150	35	4.0	0.665
WM-4-35-200-M/F	200	35	4.0	0.808
WM-4-35-250-M/F	250	35	4.0	0.951
WM-4-35-300-M/F	300	35	4.0	1.093
WM-4.5-35-400-M/F	400	35	4.5	1.654
WM-4.5-35-450-M/F	450	35	4.5	1.825
WM-4.5-35-500-M/F	500	35	4.5	1.997
WM-4.5-35-600-M/F	600	35	4.5	2.339

Material Finish (M/F)

- HG : Hot Dip Galvanized
- HP : Hot Dip Galvanized & Epoxy Powder Coated
- S4 : Stainless Steel SS304
- S6 : Stainless Steel SS316

When ordering, eg WM-4-35-300-HG

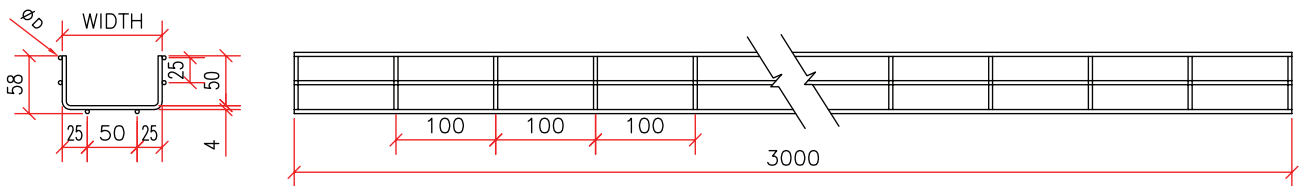
WIRE MESH CABLE TRAY - 60mm SIDE HEIGHT



Height: 60mm
Length: 3000mm



Technical Drawing

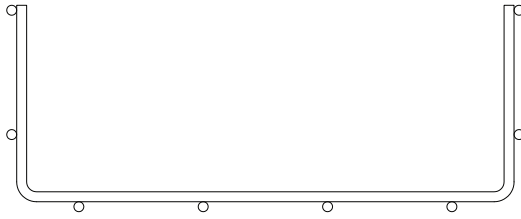


PART NUMBER	WIDTH (W) (mm)	SIDE HEIGHT (H) (mm)	WIRE DIA. (D) (mm)	WEIGHT (Kg/m)
WM-4-60-50-M/F	50	60	4.0	0.650
WM-4-60-100-M/F	100	60	4.0	0.800
WM-4-60-150-M/F	150	60	4.0	0.950
WM-4-60-200-M/F	200	60	4.0	1.105
WM-4-60-250-M/F	250	60	4.0	1.249
WM-4-60-300-M/F	300	60	4.0	1.402
WM-4.5-60-400-M/F	400	60	4.5	2.072
WM-4.5-60-450-M/F	450	60	4.5	2.256
WM-4.5-60-500-M/F	500	60	4.5	2.441
WM-4.5-60-600-M/F	600	60	4.5	2.808

Material Finish (M/F)
HG : Hot Dip Galvanized
HP : Hot Dip Galvanized & Epoxy Powder Coated
S4 : Stainless Steel SS304
S6 : Stainless Steel SS316

When ordering, eg WM-4.5-60-400-HG

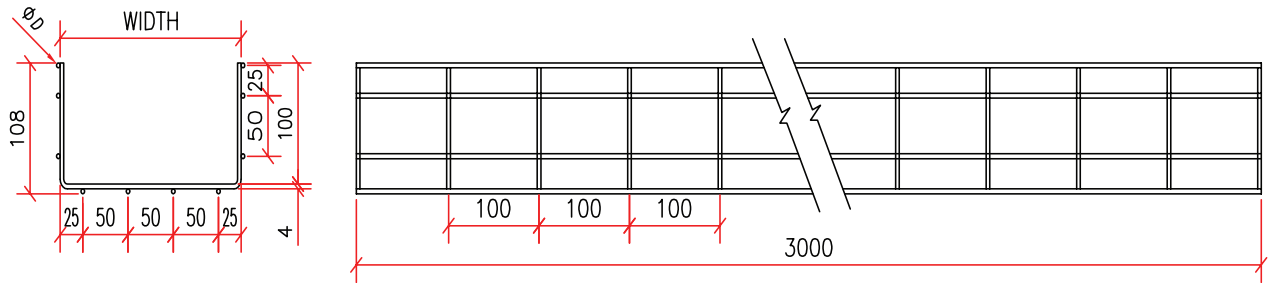
WIRE MESH CABLE TRAY - 110mm SIDE HEIGHT



Height: 110mm

Length:3000mm

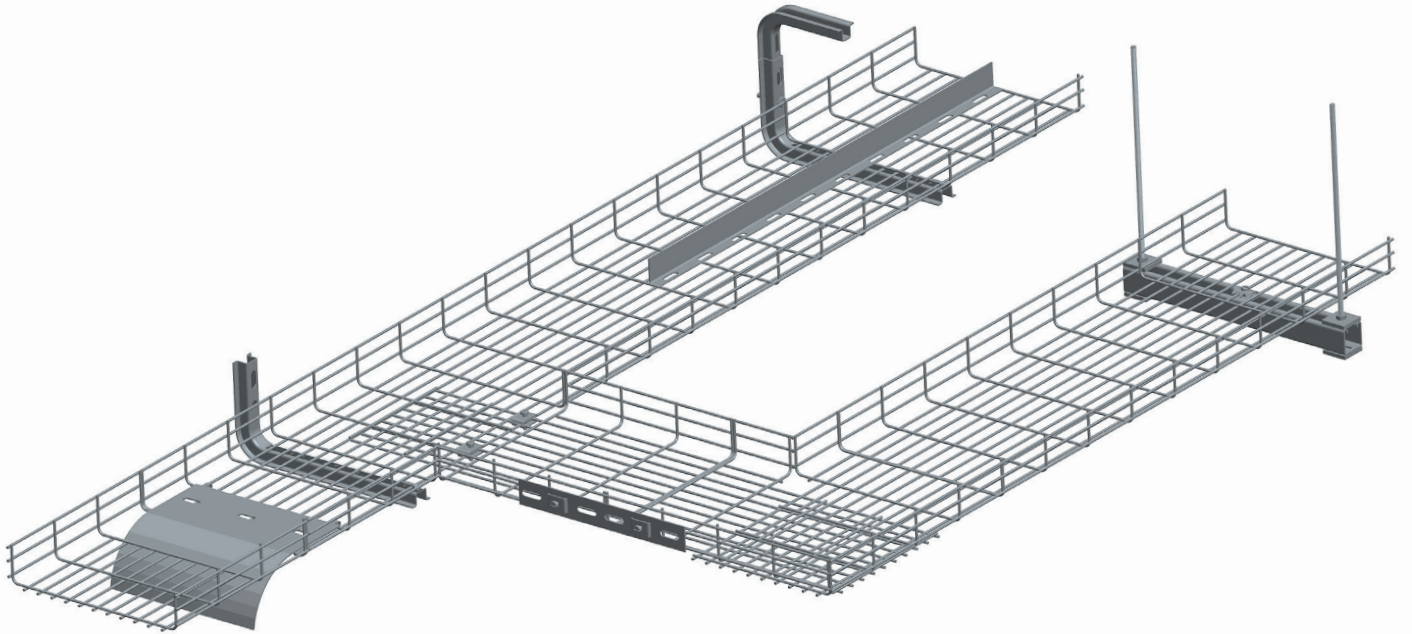
Technical Drawing



PART NUMBER	WIDTH (W) (mm)	SIDE HEIGHT (H) (mm)	WIRE DIA. (D) (mm)	WEIGHT (Kg/m)
WM-4-110-100-M/F	100	110	4.0	1.050
WM-4-110-150-M/F	150	110	4.0	1.118
WM-4-110-200-M/F	200	110	4.0	1.331
WM-4-110-250-M/F	250	110	4.0	1.474
WM-4-110-300-M/F	300	110	4.0	1.616
WM-4.5-110-400-M/F	400	110	4.5	2.411
WM-4.5-110-450-M/F	450	110	4.5	2.592
WM-4.5-110-500-M/F	500	110	4.5	2.773
WM-4.5-110-600-M/F	600	110	4.5	3.134

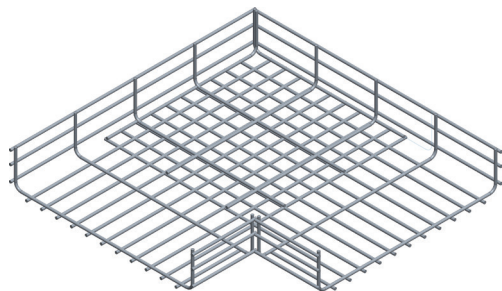
Material Finish (M/F)
HG : Hot Dip Galvanized
HP : Hot Dip Galvanized & Epoxy Powder Coated
S4 : Stainless Steel SS304
S6 : Stainless Steel SS316

When ordering, eg WM-4.5-110-450-HG

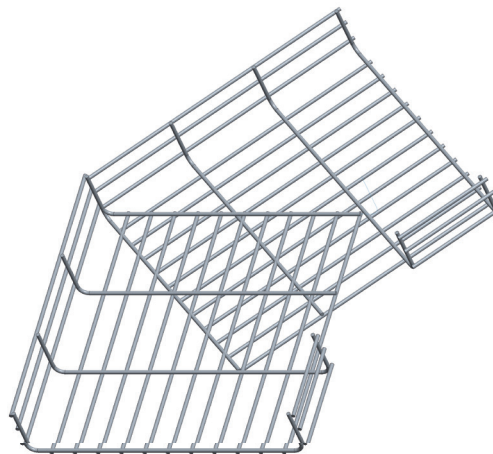


**WIRE MESH CABLE TRAY
FITTINGS AND ACCESSORIES**

90 Deg. Horizontal Bend



45 Deg. Horizontal Bend



PART NUMBER	WIDTH (W) (mm)	SIDE HEIGHT (H) (mm)
WM-B90-H-100-M/F	100	
WM-B90-H-150-M/F	150	
WM-B90-H-200-M/F	200	35
WM-B90-H-250-M/F	250	
WM-B90-H-300-M/F	300	60
WM-B90-H-400-M/F	400	
WM-B90-H-450-M/F	450	110
WM-B90-H-500-M/F	500	
WM-B90-H-600-M/F	600	

PART NUMBER	WIDTH (W) (mm)	SIDE HEIGHT (H) (mm)
WM-B45-H-100-M/F	100	
WM-B45-H-150-M/F	150	
WM-B45-H-200-M/F	200	35
WM-B45-H-250-M/F	250	
WM-B45-H-300-M/F	300	60
WM-B45-H-400-M/F	400	
WM-B45-H-450-M/F	450	110
WM-B45-H-500-M/F	500	
WM-B45-H-600-M/F	600	

When ordering, eg WM-B90-110-300-HG

Material Finish (M/F)

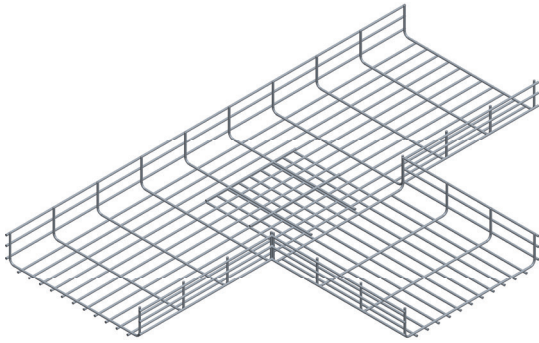
HG : Hot Dip Galvanized

HP : Hot Dip Galvanized & Epoxy Powder Coated

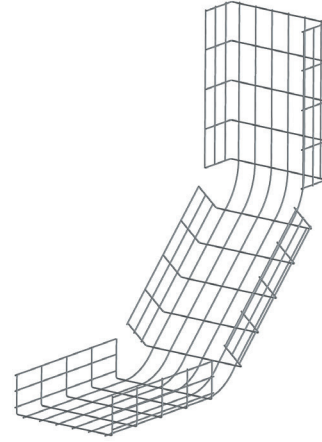
S4 : Stainless Steel SS304

S6 : Stainless Steel SS316

Horizontal Tee



90 Deg. Inside Riser



PART NUMBER	WIDTH (W) (mm)	SIDE HEIGHT (H) (mm)
WM-T-H-100-M/F	100	35
WM-T-H-150-M/F	150	
WM-T-H-200-M/F	200	
WM-T-H-250-M/F	250	
WM-T-H-300-M/F	300	60
WM-T-H-400-M/F	400	
WM-T-H-450-M/F	450	110
WM-T-H-500-M/F	500	
WM-T-H-600-M/F	600	

PART NUMBER	WIDTH (W) (mm)	SIDE HEIGHT (H) (mm)
WM-RI90-H-100-M/F	100	35
WM-RI90-H-150-M/F	150	
WM-RI90-H-200-M/F	200	60
WM-RI90-H-250-M/F	250	
WM-RI90-H-300-M/F	300	110
WM-RI90-H-400-M/F	400	
WM-RI90-H-450-M/F	450	
WM-RI90-H-500-M/F	500	110
WM-RI90-H-600-M/F	600	

When ordering, eg WM-T-35-400-HG

Material Finish (M/F)

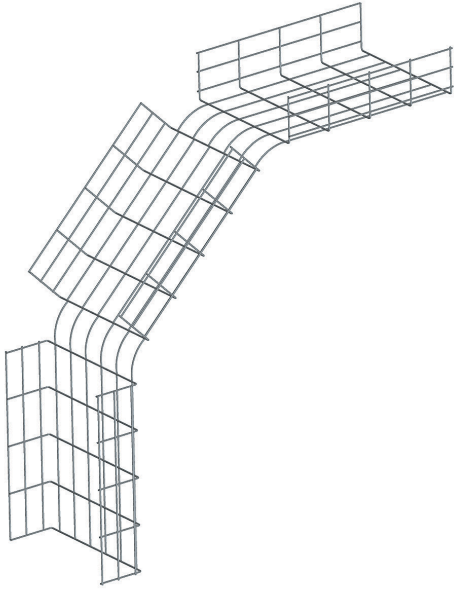
HG : Hot Dip Galvanized

HP : Hot Dip Galvanized & Epoxy Powder Coated

S4 : Stainless Steel SS304

S6 : Stainless Steel SS316

90 Deg. Outside Riser



PART NUMBER	WIDTH (W) (mm)	SIDE HEIGHT (H) (mm)
WM-RO90-H-100-M/F	100	
WM-RO90-H-150-M/F	150	
WM-RO90-H-200-M/F	200	35
WM-RO90-H-250-M/F	250	
WM-RO90-H-300-M/F	300	60
WM-RO90-H-400-M/F	400	
WM-RO90-H-450-M/F	450	110
WM-RO90-H-500-M/F	500	
WM-RO90-H-600-M/F	600	

When Ordering, eg WM-RO90-110-300-HG

Material Finish (M/F)

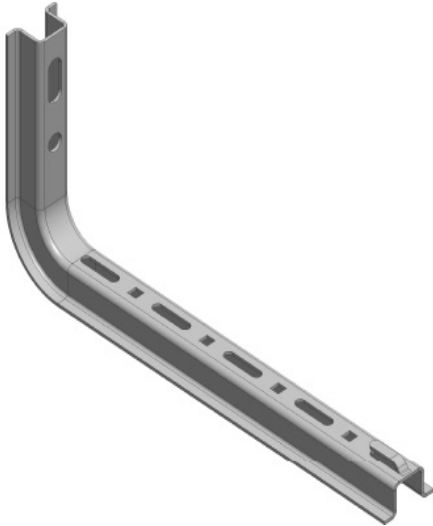
HG : Hot Dip Galvanized

HP : Hot Dip Galvanized & Epoxy Powder Coated

S4 : Stainless Steel SS304

S6 : Stainless Steel SS316

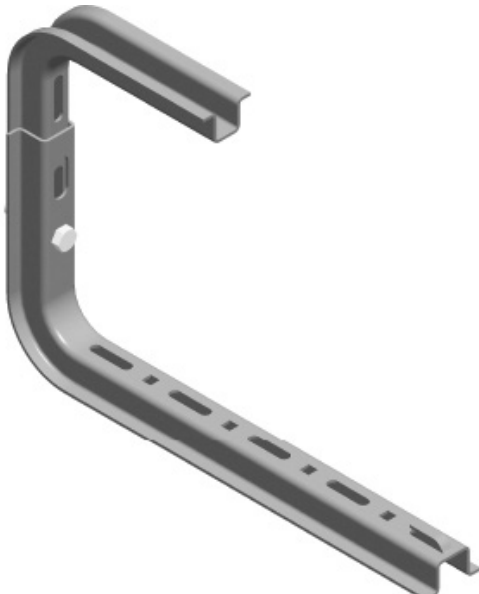
Wall Mounting Bracket



PART NUMBER	WIDTH (W) (mm)	SIDE HEIGHT (H) (mm)
WM-BRK-H-100-M/F	100	
WM-BRK-H-150-M/F	150	
WM-BRK-H-200-M/F	200	35
WM-BRK-H-250-M/F	250	
WM-BRK-H-300-M/F	300	60
WM-BRK-H-400-M/F	400	
WM-BRK-H-450-M/F	450	110
WM-BRK-H-500-M/F	500	
WM-BRK-H-600-M/F	600	

When ordering, please specify the part number and material finish. eg : WM-BRK-60-300-HG

Ceiling Mounting Bracket

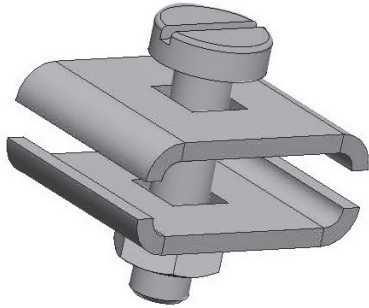


PART NUMBER	WIDTH (W) (mm)	SIDE HEIGHT (H) (mm)
WM-CBRK-H-100-M/F	100	
WM-CBRK-H-150-M/F	150	
WM-CBRK-H-200-M/F	200	35
WM-CBRK-H-250-M/F	250	
WM-CBRK-H-300-M/F	300	60
WM-CBRK-H-400-M/F	400	
WM-CBRK-H-450-M/F	450	110
WM-CBRK-H-500-M/F	500	
WM-CBRK-H-600-M/F	600	

When ordering, please specify the part number and material finish. eg : WM-CBRK-60-300-HG

Note : Hardwares to be ordered separately

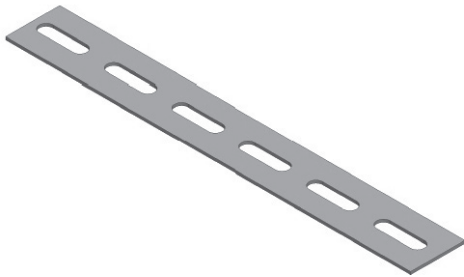
Part Clamp



When ordering, please specify the part number and material finish. eg : WM-PC-HG

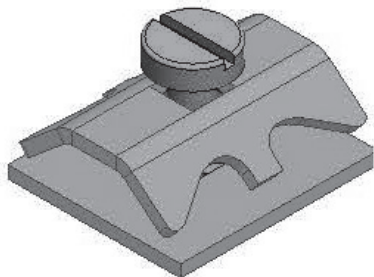
Note : Hardwares to be ordered separately

Splice Plate



When ordering, please specify the part number and material finish. eg : WM-SP-110-HG

Butterfly Clamp



When ordering, please specify the part number and material finish. eg : WM-BC-HG

Note : Hardwares to be ordered separately

PART NUMBER	SIDE HEIGHT (H) (mm)
WM-SP-H-M/F	35
WM-SP-H-M/F	60
WM-SP-H-M/F	110

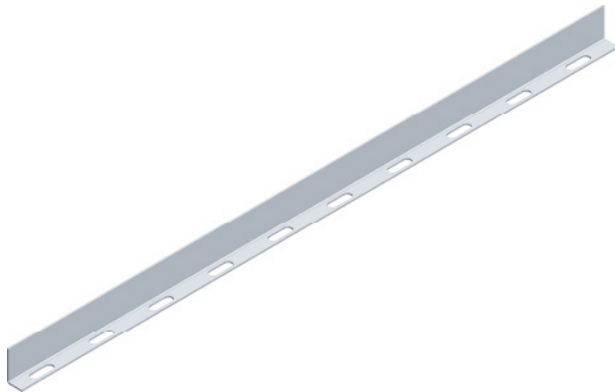
Drop Out



When ordering, please specify the part number and material finish. eg : WM-DO-150-HG

PART NUMBER	WIDTH (W) (mm)
WM-DO-100-M/F	100
WM-DO-150-M/F	150
WM-DO-200-M/F	200
WM-DO-250-M/F	250
WM-DO-300-M/F	300
WM-DO-400-M/F	400
WM-DO-450-M/F	450
WM-DO-500-M/F	500
WM-DO-600-M/F	600

Horizontal Barrier Strip

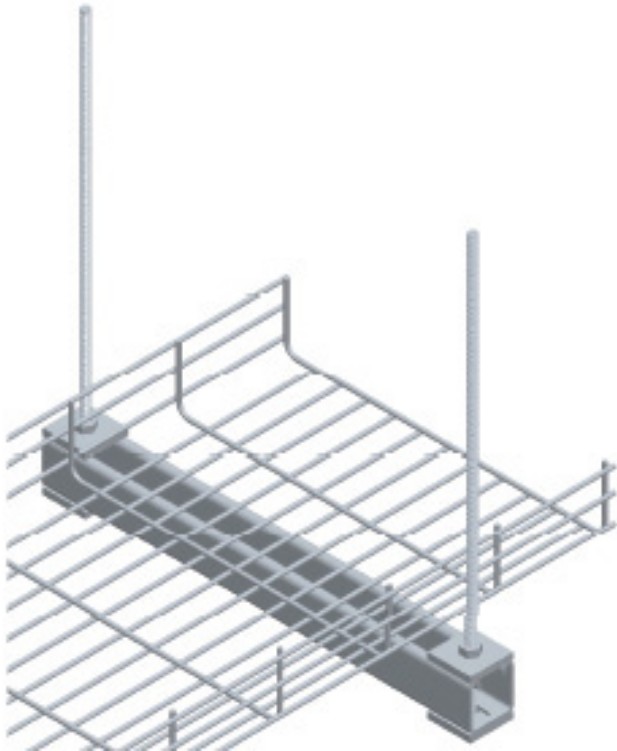


When ordering, please specify the part number and material finish. eg : WM-HOBS-60-HG

Note: Supply Length 3.0Mtr,2.44 Mtr.

PART NUMBER	SIDE HEIGHT (H) (mm)
WM-HOBS-H-M/F	35
WM-HOBS-H-M/F	60
WM-HOBS-H-M/F	110

Hanger Support



PART NUMBER	WIDTH (W) (mm)
WM-HR-100-M/F	100
WM-HR-150-M/F	150
WM-HR-200-M/F	200
WM-HR-250-M/F	250
WM-HR-300-M/F	300
WM-HR-400-M/F	400
WM-HR-450-M/F	450
WM-HR-500-M/F	500
WM-HR-600-M/F	600

When ordering, please specify the part number and material finish. eg : WM-HR-600-HG

Note : Threaded rod ordered seperately



Industrial Cable Management Systems Co.

+974 4444 6246 | Fax: +974 4444 6242

www.icmstray.com

