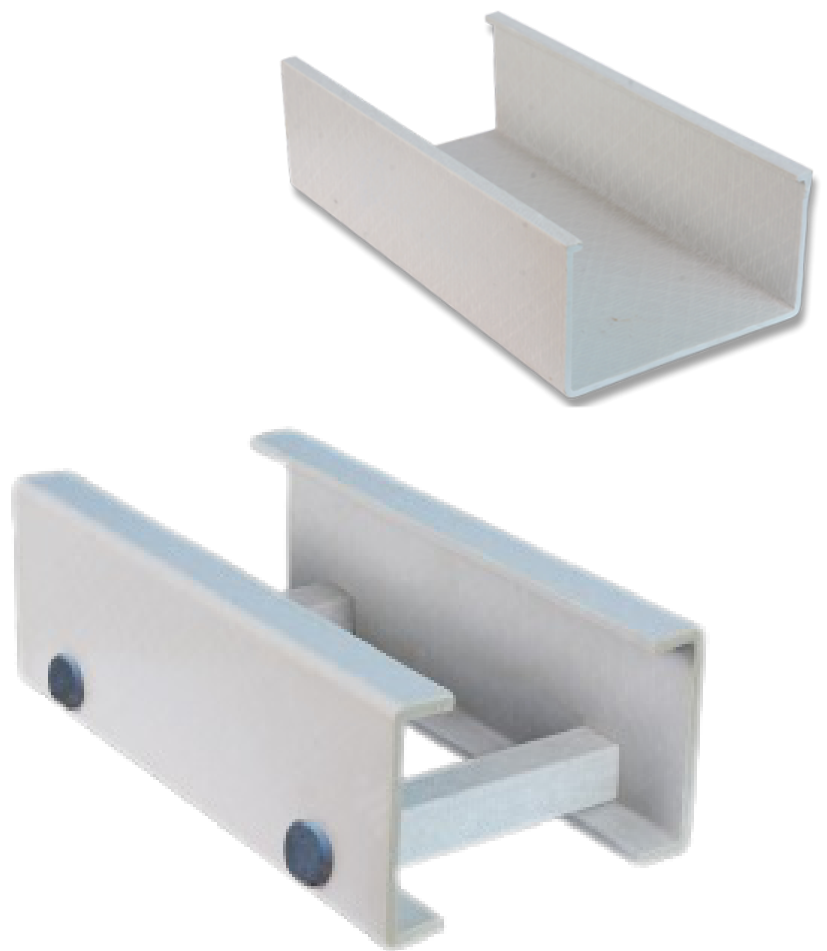


FIBERGLASS CABLE MANAGEMENT SYSTEM



//
SPECIALITY
IS OUR
STRENGTH

//



ICMS

Industrial Cable Management System Co.



Industrial Cable Management System Co.

www.icmstray.com

FIBERGLASS CABLE TRAY

ICMS Fiberglass cable tray system has been designed to work in most extreme corrosive environments for managing the cables. The system including straight Length, fittings and accessories is manufactured as per NEMA FG1 standard.

Applications:

- Offshore platforms
- Chemical plants
- Oil and metal refineries
- Water treatment plants
- Power plants etc.

Benefits of ICMS fiberglass cable trays:

- Corrosion resistant – It gives resistance against almost all chemicals & in most hostile environments.
- Impact resistance – Returns to original position without any permanent deflection or distortion.
- Light weight – Density compared to steel is 4 times less.
- Nonconductive – It does not carry any electric current.
- Life cycle – Long durability ensures lowest in life cycle cost.
- Easy to install – No welding required and easy to cut and drill.
- Low installation cost – Being light weight, it can be installed by anybody easily.
- UV Resistant – Inbuilt UV resistance gives protection from direct sunlight exposure.
- Fire Retardant– fire retardant in accordance with ASTM E- 84

Related Standards:

- NEMA FG1
- BS EN 61537: 2007
- NEMA VE-2
- QCS

Type of Resin:

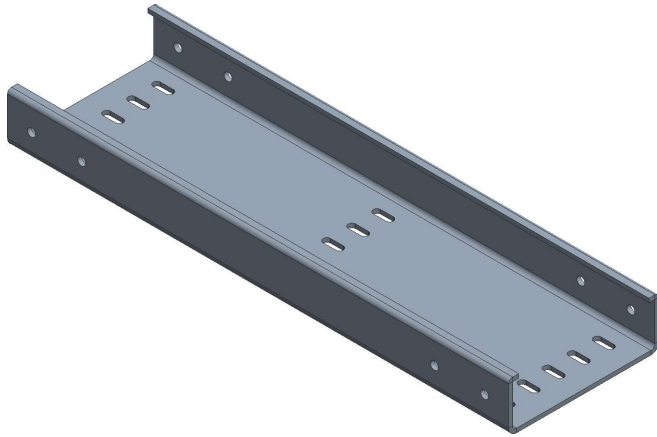
- Isophthalic Polyester (IP) - It offers good UV and weather resistance.

**For other resins, Consult ICMS factory.

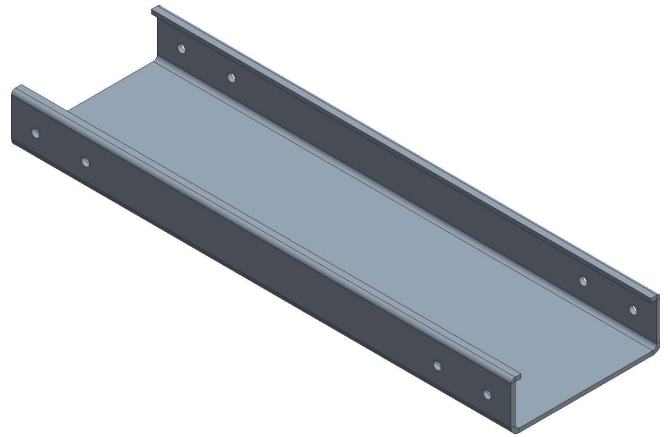
***The sketches in the catalouge are indicative. It may differ from actual product.

Fiberglass cable tray straight length

FCTP:Perforated tray



FCTS:Solid tray



Straight Tray Ordering Way :

Example:

FCTP - 50- 300 - 4 - IP

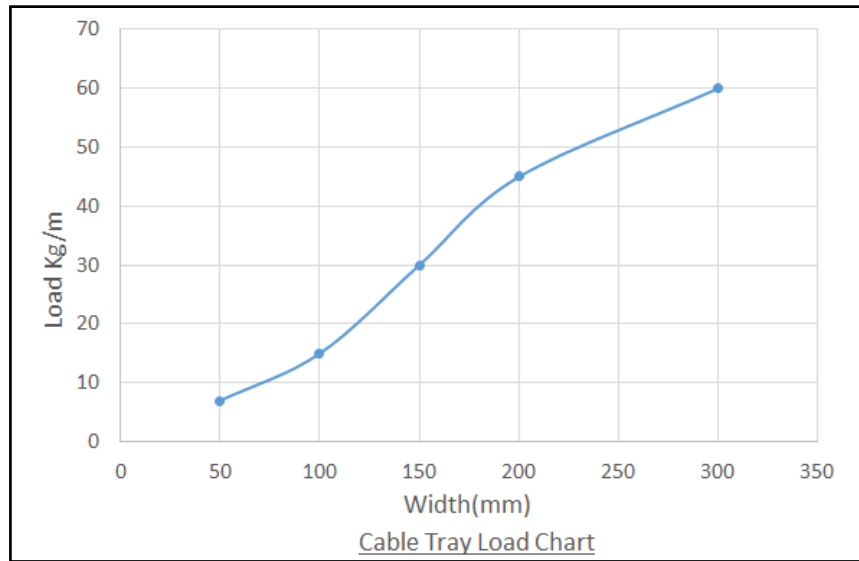
Model	Side Height(mm)	Width(mm)	Thickness(mm)	Resins
FCTP: Perforated fiberglass cable tray	50	50	4.0	IP: Isophthalic Polyester
FCTS: Solid fiberglass cable tray	100	100		
		150		
		200		
		300		

* For other resins, Consult factory.

Note:

- Cable tray standard length is 3.0 Mtr length.

Cable tray load chart



Tray fittings ordering way:

Example:

FCTP- FB90 -50 - 300 - 4 - IP

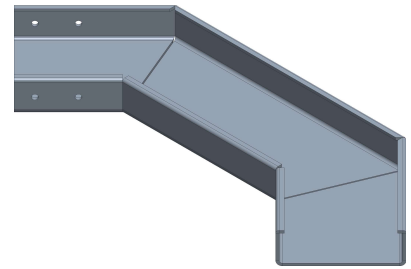
Model	Type	Side Height	Width(mm)	Thickness	Resins
FCTP: Perforated fiberglass cable tray	FB90-90 Deg Hor. Bend	50	50	4.0	IP: Isophthalic Polyester
FCTS: Solid fiberglass cable tray	FB45-45 Deg Hor. Bend	100	100		
	FT-Tee		150		
	FX-Cross		200		
	FRI90-90 Deg. Inside Riser		300		
	FRI45-45 Deg Inside Riser				
	FRO90-90 Deg.Outside Riser				
	FRO45-45 Deg Outside Riser				
	FRS-Standard Reducer				
	FRR-Right Hand Reducer				
	FRL-Left Hand Reducer				

* For other resins, Consult factory.

FB90

90 Deg Hor.Bend

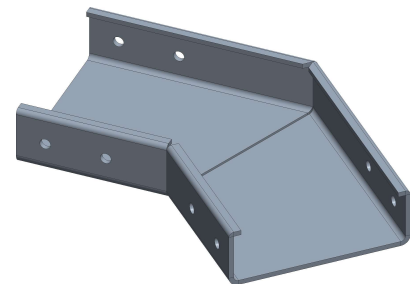
Prefix	H (mm)	W(mm)	Thickness (mm)	Resin
FCTP-FB90	50	50	4	IP
		100		
FCTS-FB90	100	150	4	IP
90 Deg Bend		200		
		300		



FB45

45 Deg Hor.Bend

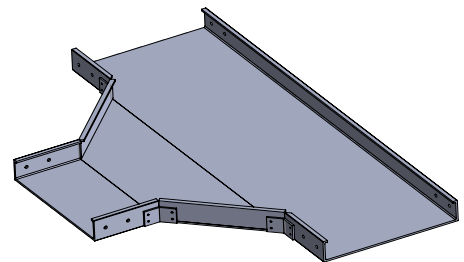
Prefix	H (mm)	W(mm)	Thickness (mm)	Resin
FCTP-FB45	50	50	4	IP
		100		
FCTS-FB45	100	150	4	IP
45 Deg Bend		200		
		300		



FT

Tee

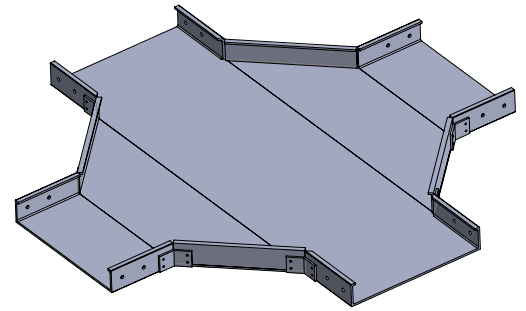
Prefix	H (mm)	W(mm)	Thickness (mm)	Resin
FCTP-FT	50	50	4	IP
		100		
FCTS-FT	100	150	4	IP
Tee		200		
		300		



FX

Cross

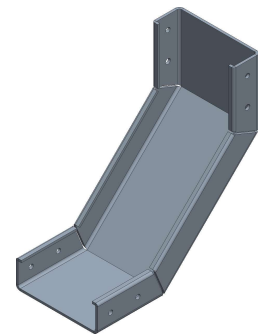
Prefix	H (mm)	W(mm)	Thickness (mm)	Resin
FCTP-FX	50	50	4	IP
		100		
FCTS-FX	100	150	4	IP
Cross		200		
		300		



FRI90

90 Deg Inside Riser

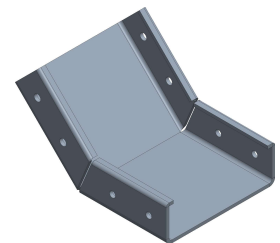
Prefix	H (mm)	W(mm)	Thickness (mm)	Resin
FCTP-FRI90	50	50	4	IP
		100		
FCTS-FRI90	100	150	4	IP
90 Deg Inside riser		200		
		300		



FRI45

45 Deg Inside Riser

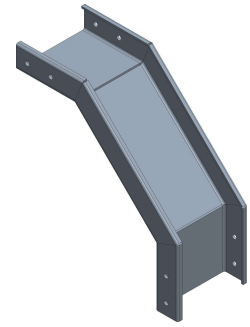
Prefix	H (mm)	W(mm)	Thickness (mm)	Resin
FCTP-FRI45	50	50	4	IP
		100		
FCTS-FRI45	100	150	4	IP
45 Deg Inside riser		200		
		300		



FRO90

90 Deg Outside Riser

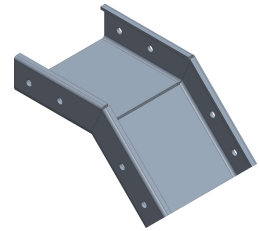
Prefix	H (mm)	W(mm)	Thickness (mm)	Resin
		50		
FCTP-FRO90	50	100		
FCTS-FRO90	100	150	4	IP
90 Deg Outside riser		200		
		300		



FRO45

45 Deg Outside Riser

Prefix	H (mm)	W(mm)	Thickness (mm)	Resin
		50		
FCTP-FRO45	50	100		
FCTS-FRO45	100	150	4	IP
45 Deg Outside riser		200		
		300		



FRS

Standard Reducer

Prefix	H (mm)	W1 (mm)	W2 (mm)	Thickness	Resin
		50	50		
FCTP-FRS		100	100		
FCTS-FRS	50	150	150	4	IP
Straight Reducer	100	200	200		
		300	300		

FRR

Right Hand Reducer

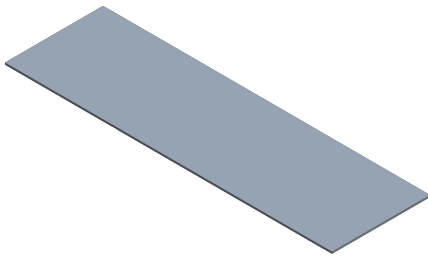
Prefix	H (mm)	W1 (mm)	W2 (mm)	Thickness	Resin
		50	50		
FCTP-FRR		100	100		
FCTS-FRR	50	150	150	4	IP
Right Hand Reducer	100	200	200		
		300	300		

FRL

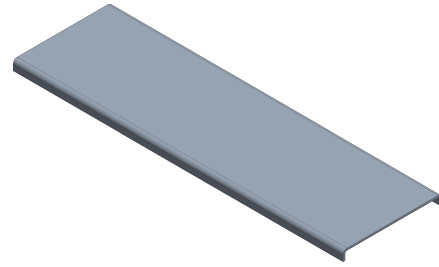
Left Hand Reducer

Prefix	H (mm)	W1 (mm)	W2 (mm)	Thickness	Resin
		50	50		
FCTP-FRL		100	100		
FCTS-FRL	50	150	150	4	IP
Left Hand Reducer	100	200	200		
		300	300		

FSCT Type: Solid Flat Cover



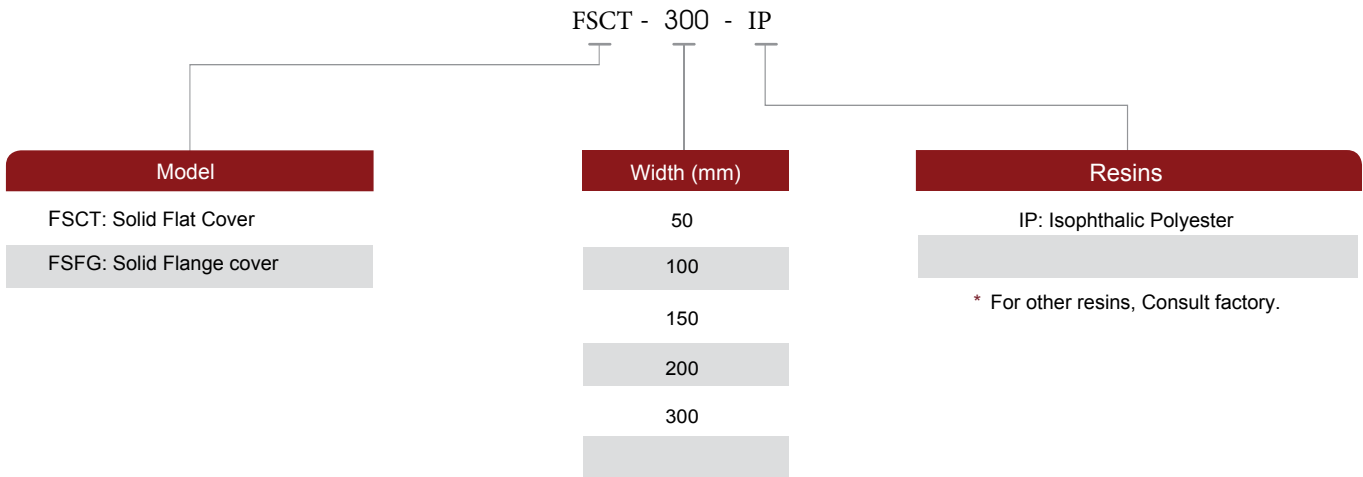
FSFG Type: Solid Flange Cover



Straight Cover Ordering Way :

Example:

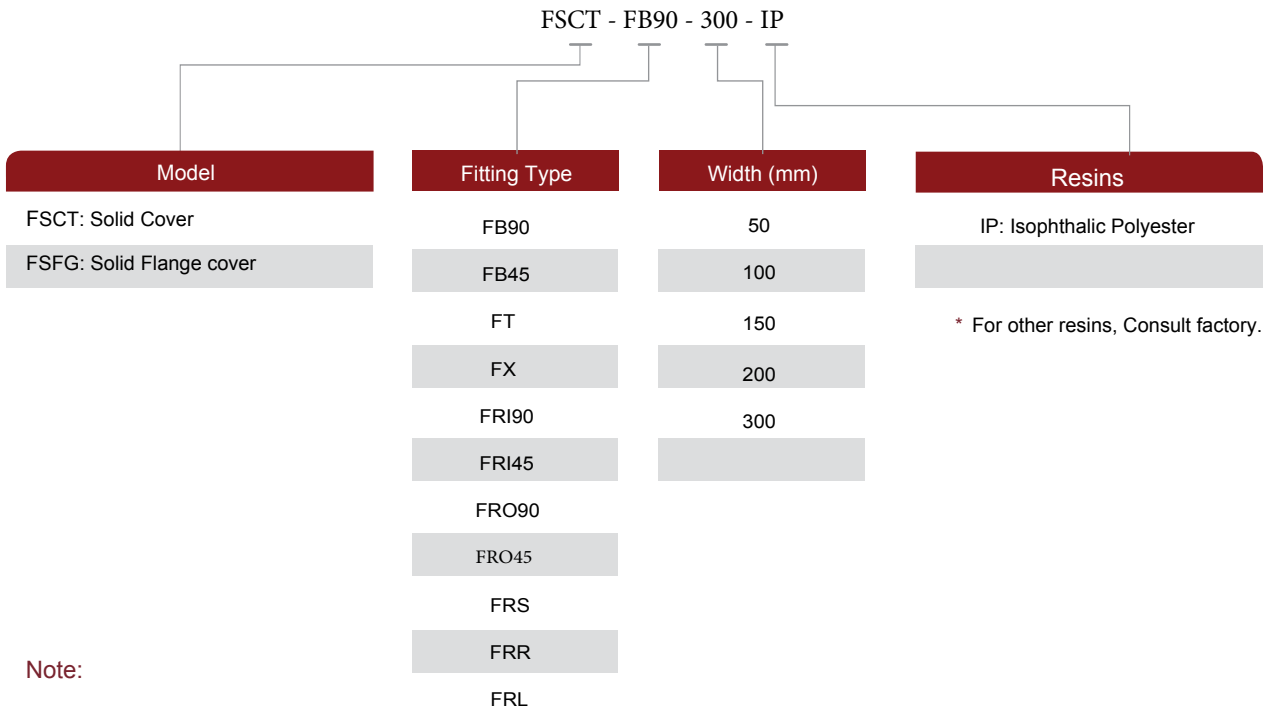
FSCT - 300 - IP



Fittings Cover Ordering Way :

Example:

FSCT - FB90 - 300 - IP



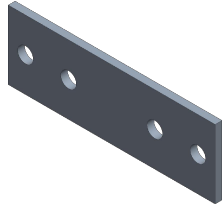
Note:

- Cable tray cover length is 3.0 Mtr.
- Thickness of the cable tray cover is 3.0mm.

FSTCS

Standard Straight Coupler

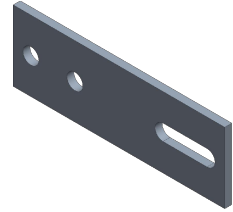
Height	Catalogue No
50	FSTCS - 50 - IP
100	FSTCS- 100 - IP



FEPC

Expansion Coupler

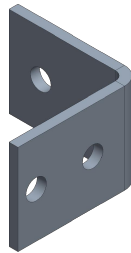
Height	Catalogue No
50	FEPC - 50 - IP
100	FEPC - 100 - IP



FAC

90 Deg. Angle Coupler

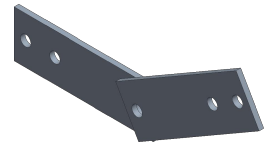
Height	Catalogue No
50	FAC- 50 - IP
100	FAC- 100 - IP



FVEC

Vertical Adjustable Coupler

Height	Catalogue No
50	FVEC - 50 -IP
100	FVEC - 100 - IP

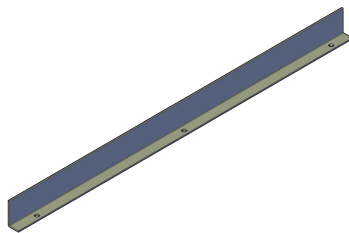


FHOBS

Horizontal Barrier Straight

Part Number: FHOBS-H
H: Cable Tray Height

Height	Catalogue No
50	FHOBS- 50 - IP
100	FHOBS-100- IP

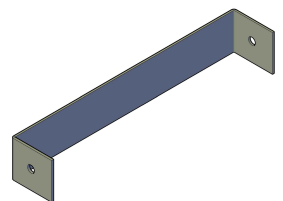


FBE

Blind End

Part Number: FBE-W
W: Cable Tray Width

Height	Catalogue No
50	FBE- 50 -W- IP
100	FBE- 100 - W-IP

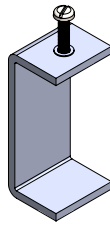


FCOB

Cover Bracket

Part Number: COB-H
 H: Cable Tray Height

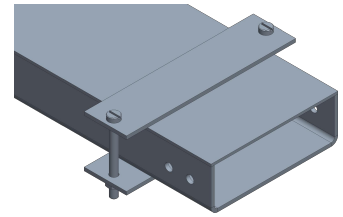
Height	Catalogue No
50	FCOB-50-S6
100	FCOB-100-S6



FDCB

Double Cover Bracket

Height	Catalogue No
50	FDCB-50-W-IP
100	FDCB-100-W-IP



* SS316 Cover Bracket for fixing the cable tray cover.

FIBERGLASS CABLE LADDER

It is the perfect solution for a wide variety of installations where corrosion-resistance, high loading capacity and quick easy installation is needed.

Ladder Cable Trays shall consist of two longitudinal members (side rails) with transverse members (Square Profile rungs) mechanically fastened and adhesively bonded to the side rails.

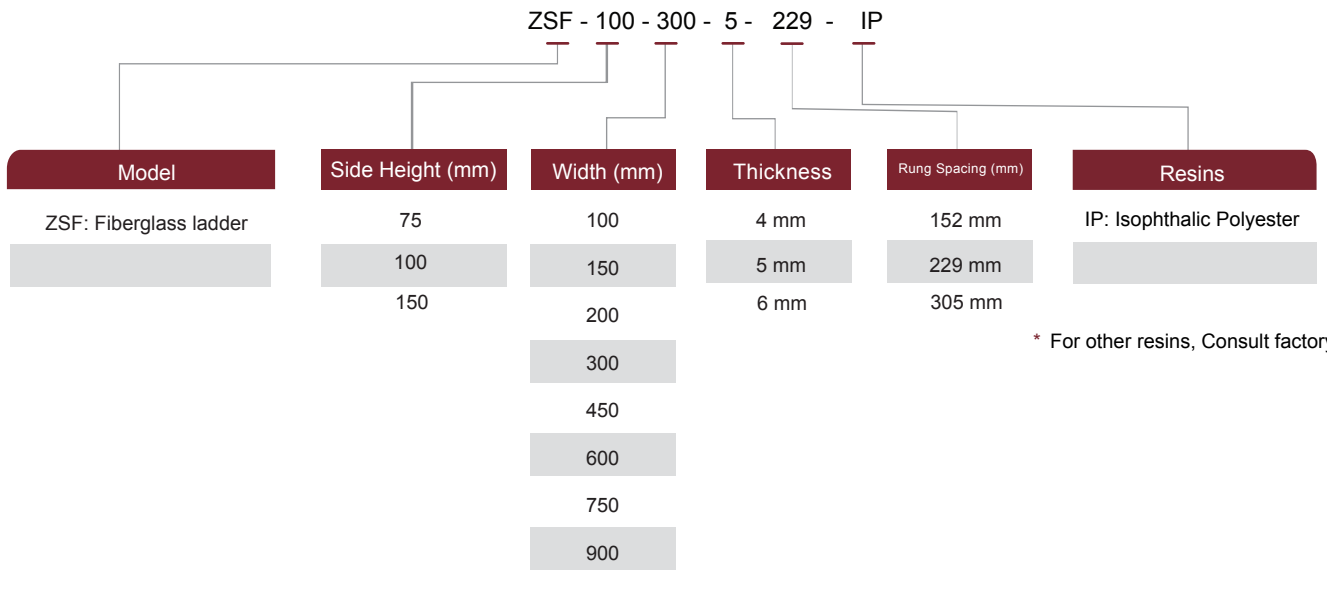
The advantages of ZETA FRP/GRP LADDER are appreciated particularly in demanding conditions or complex installations, for example in industrial plants, chemical and petrochemical plants, in tunnel and bridge constructions, water treatment works, outdoors and in close proximity to the sea.

■ **Related Standards:**

- NEMA FG1
- NEMA VE2
- QCS

Straight Ladder Ordering Way :

Example:

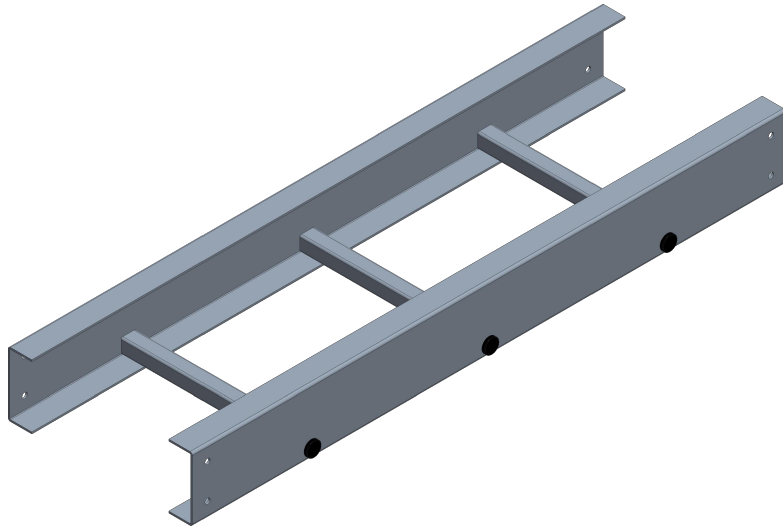


* For other resins, Consult factory.

***The sketches in the catalogue are indicative. It may differ from actual product.

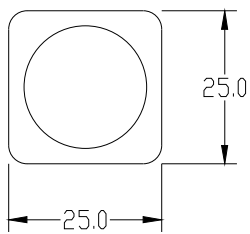
Model ZSF:

Square Profile Rungs Ladder

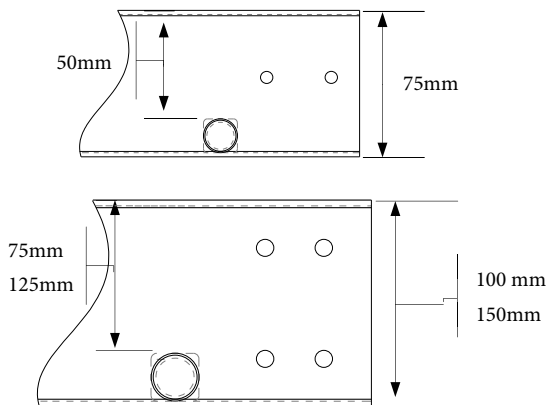


Rungs:

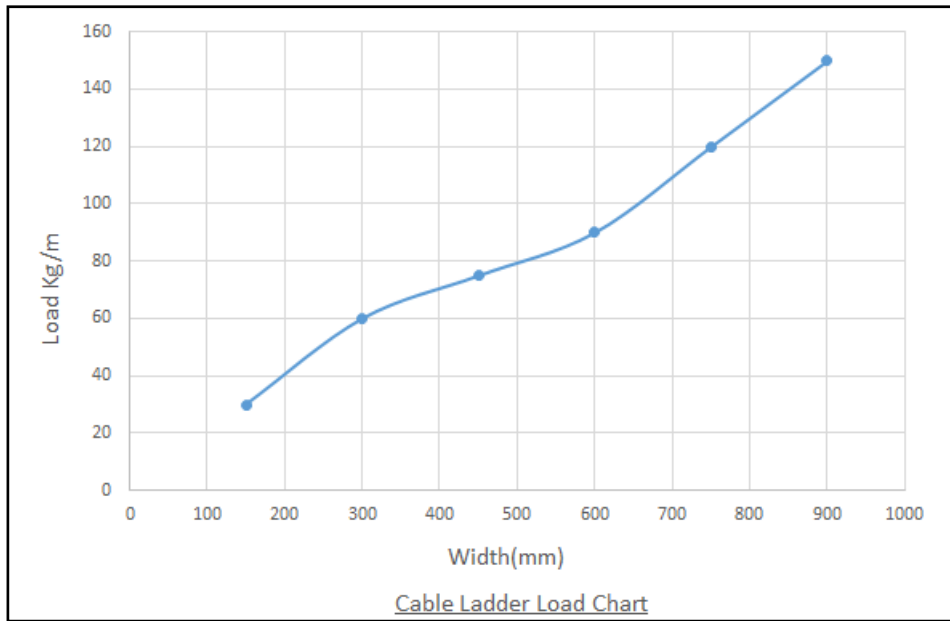
Construction: Rungs Attached to side rails



Hole Configuration



Cable ladder load chart



**In addition to point load of 70 Kg to be put at centre of the span.

Ladder fittings ordering way:

Example:

FHT - 100- 300 - 5- 600 - IP

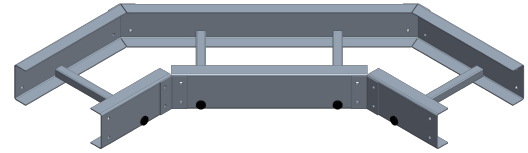
Fitting type	Height	Width	Thickness	Radius	Resins
FHB90: 90Deg .Horizontal Elbow	75 mm	100 mm	4 mm	300 mm	IP: Isophthalic Polyester
FHB45: 45Deg .Horizontal Elbow	100 mm	150 mm	5 mm	600 mm	
FHT: Horizontal Tee	150 mm	200 mm	6 mm	900 mm	
FHC: Horizontal Cross		300 mm			* For other resins, Consult factory.
FVI90: 90Deg .Vertical Inside Elbow		450 mm			
FVI45: 45Deg .Vertical Inside Elbow		600 mm			
FVO90: 90Deg .Vertical Outside Elbow		750 mm			
FVO45: 45Deg .Vertical Outside Elbow		900 mm			
FRSL: Reducer straight					
FRRL: Reducer Right Hand					
FRLL: Reducer Left Hand					

FHB90

90 Deg Horizontal Elbow

Application:
For Making 90 Deg. turns on the same plan.

Model	H(mm)	W(mm)	Thickness (mm)	Radius (mm)	Resins
FHB90	75	100	4.0	300	IP
		150			
		200			
		300			
		450			
		600			
		750			
		900			

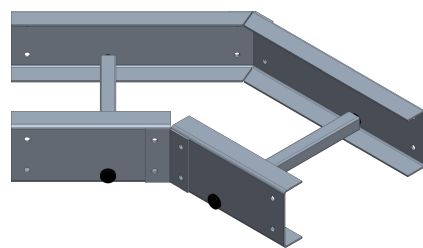


FHB45

45 Deg Horizontal Elbow

Application:
For Making 45 Deg. turns on the same plan.

Model	H(mm)	W(mm)	Thickness (mm)	Radius (mm)	Resins
FHB45	75	100	4.0	300	IP
		150			
		200			
		300			
		450			
		600			
		750			
		900			

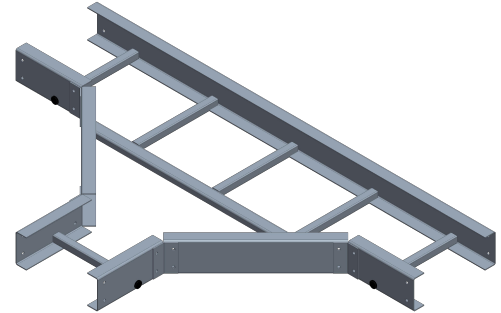


FHT

Horizontal Tee

Application:
For Making right angle turns on the same plan. For branch to tray with narrower width than main tray, use reducers or consult factory.

Model	H(mm)	W(mm)	Thickness (mm)	Radius (mm)	Resins		
FHT	75	100	4.0	300	IP		
		150					
		200					
		300				5.0	600
		150				6.0	900
		600					
		750					
		900					

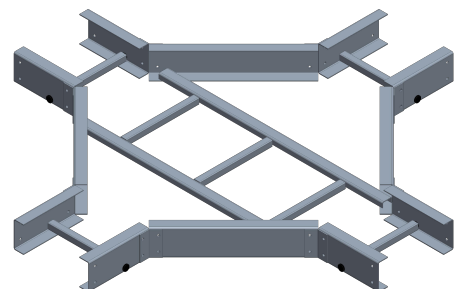


FHC

Horizontal Cross

Application:
For Making right angle turns on the same plan. For branch to tray with narrower width than main tray, use reducers or consult factory.

Model	H(mm)	W(mm)	Thickness (mm)	Radius (mm)	Resins		
FHC	75	100	4.0	300	IP		
		150					
		200					
		300				5.0	600
		150				6.0	900
		600					
		750					
		900					

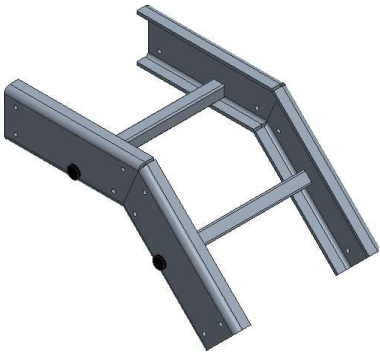


FVO45

45 Deg Vertical Outside Elbow

Application:
 For 45 Deg. External corners or directional changes on a vertical plane.

Model	H(mm)	W(mm)	Thickness (mm)	Radius (mm)	Resins
FVO45	75	100	4.0	300	IP
		150			
		200			
		300			
		450			
		600			
		750			
		900			



FVO90

90 Deg Vertical Outside Elbow

Application:
 For 90 Deg. External corners or directional changes on a vertical plane.

Model	H(mm)	W(mm)	Thickness (mm)	Radius (mm)	Resins
FVO90	75	100	4.0	300	IP
		150			
		200			
		300			
		450			
		600			
		750			
		900			



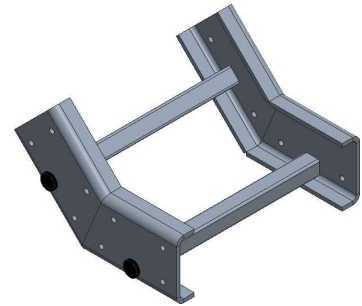
FVI45

45 Deg Vertical Inside Elbow

Application:

For 45 Deg. Internal corners or directional changes on a vertical plane.

Model	H(mm)	W(mm)	Thickness (mm)	Radius (mm)	Resins
FVI45	75	100	4.0	300	IP
		150			
		200			
	100	300	5.0	600	
		450	6.0	900	
	600				
	750				
	900				



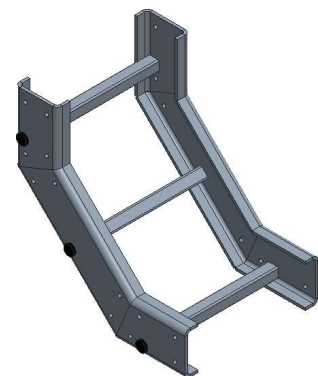
FVI90

90 Deg Vertical Inside Elbow

Application:

For 90 Deg. Internal corners or directional changes on a vertical plane.

Model	H(mm)	W(mm)	Thickness (mm)	Radius (mm)	Resins
FVI90	75	100	4.0	300	IP
		150			
		200			
	100	300	5.0	600	
		450	6.0	900	
	600				
	750				
	900				



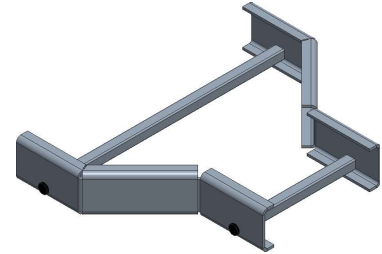
FRSL

Straight Reducer

Application:

For gradually reducing the size of tray both sides.

Model	H(mm)	W1(mm)	W2(mm)	Thickness (mm)	Resins	
FRSL	75	100	100	4.0	IP	
		150	150			
		200	200			
		300	300	5.0		
		150	450	450		6.0
			600	600		
			750	750		
			900	900		



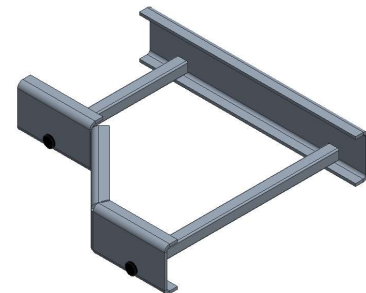
FRRL

Right Hand Reducer

Application:

For gradually reducing the size of tray from right side.

Model	H(mm)	W1(mm)	W2(mm)	Thickness (mm)	Resins	
FRRL	75	100	100	4.0	IP	
		150	150			
		200	200			
		300	300	5.0		
		150	450	450		6.0
			600	600		
			750	750		
			900	900		



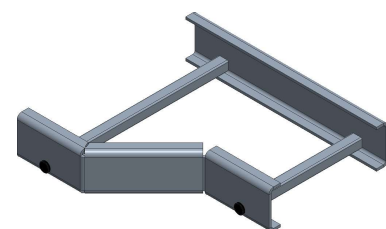
FRLL

Left Hand Reducer

Application:

For gradually reducing the size of tray from left side.

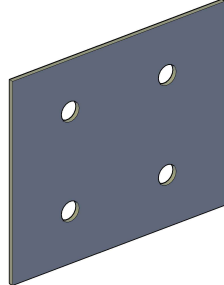
Model	H(mm)	W1(mm)	W2(mm)	Thickness (mm)	Resins	
FRLL	75	100	100	4.0	IP	
		150	150			
		200	200			
		300	300	5.0		
		150	450	450		6.0
			600	600		
			750	750		
			900	900		



FUSC Universal Splice Connector

- Supplied in Pairs and have hole pattern which match the tray system.
- Hardware to be ordered separately.
- For field installation drill 13/32" hole.

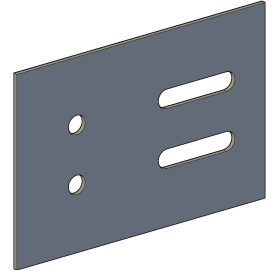
Side Height	Part No
75 mm	FUSC-75-IP
100 mm	FUSC-100-IP
150 mm	FUSC-150-IP



FEPC Expansion Plate Connector

- Expansion plate provides one inch expansion or contraction of cable tray as per NEMA FG1.
- Hardware to be ordered separately.

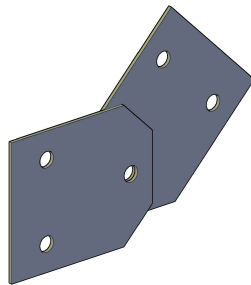
Side Height	Part No
75 mm	FEPC-75-IP
100 mm	FEPC-100-IP
150 mm	FEPC-150-IP



FVAC Vertical Adjustable Connector

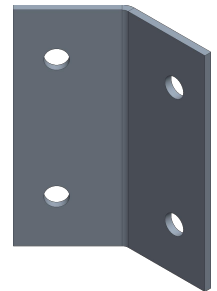
- Required to provide change in elevation where standard vertical fittings do not apply.
- Supplied in Pairs ,Hardware to be ordered separately.

Side Height	Part No
75 mm	FVAC-75-IP
100 mm	FVAC-100-IP
150 mm	FVAC-150-IP



FHCL Horizontal Connector

Side Height	Part No
75 mm	FVAC-75-Deg-IP
100 mm	FVAC-100-Deg-IP
150 mm	FVAC-150-Deg-IP



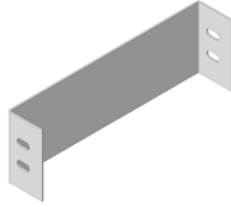
FBEC

Blind End Plate

- Required to form closure for dead end of cable tray .
- Hardware to be ordered separately.

Side Height Part No

75 mm	FBEC-75-W-IP
100 mm	FBEC-100-W-IP
150 mm	FBEC-150-W-IP

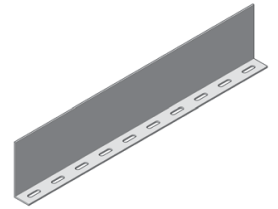


FSBS

Barrier Strip Straight

Side Height Part No

75 mm	FSBS-75-IP
100 mm	FSBS-100-IP
150 mm	FSBS-150-IP



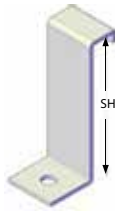
On order state :
W :Denotes Cable Tray Width

FIDC

Internal Hold Down

Side Height Part No

75 mm	FIDC-75-IP
100 mm	FIDC-100-IP
150 mm	FIDC-150-IP

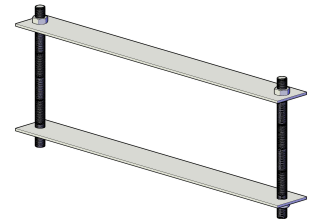


FDCC

Double Connector Cover Clamp

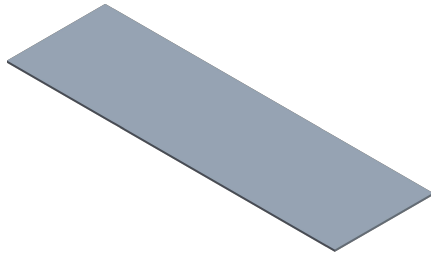
Side Height Part No

75 mm	FDCC-75-W-IP
100 mm	FDCC-100-W-IP
150 mm	FDCC-150-W-IP



* SS316 Hold down clamp for fixing the ladder

FSFT Solid Flat Cover



Straight Covers Ordering Way :

FIN FSFT - 18 - 12 - IP

Ladder Type	Model	Width (mm)	Length	Resins
FIN : Flange Inside	FSFT	150	3.0 mtr (10')	IP: Isophthalic Polyester
		200		
		300		
		450		
		600		
		750		
		900		

* For other resins, Consult factory.

Note:

- Ladder cover length is 3.0 Mtr.
- Thickness of the cover is 3.0mm.

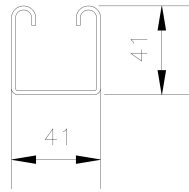
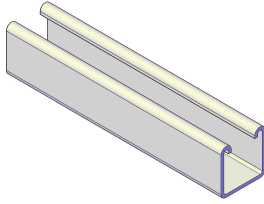
Fittings Cover Ordering Way:

FIN - FHB90 - 300 - IP

Ladder Type	Fitting Type	Width (mm)	Resins
FIN : Flange Inside	FHB90C	150	IP: Isophthalic Polyester
	FHB45C	200	
	FHTC	300	
	FHCC	450	
	FVI90C	600	
	FVI45C	750	
	FVO90C	900	
	FVO45C		
	FRSLC		
	FRRLC		
	FRLLC		

* For other resins, Consult factory.

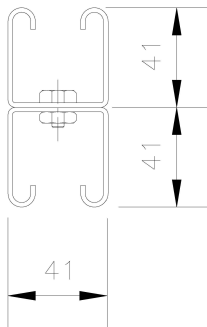
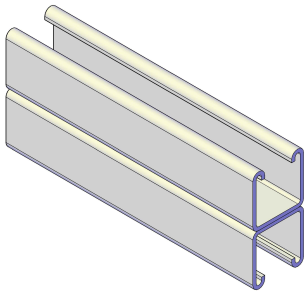
Single Channel

ZS 700

Size: 41mm x 41 mm
Thickness: 3.0 mm

Material :
IP: Isophthalic Polyester

Double Channel

ZS 800

Size: 82mm x 41mm
Thickness: 3.0 mm

Material :
IP: Isophthalic Polyester



Industrial Cable Management Systems Co.

+974 4444 6246 | Fax: +974 4444 6242

www.icmstray.com